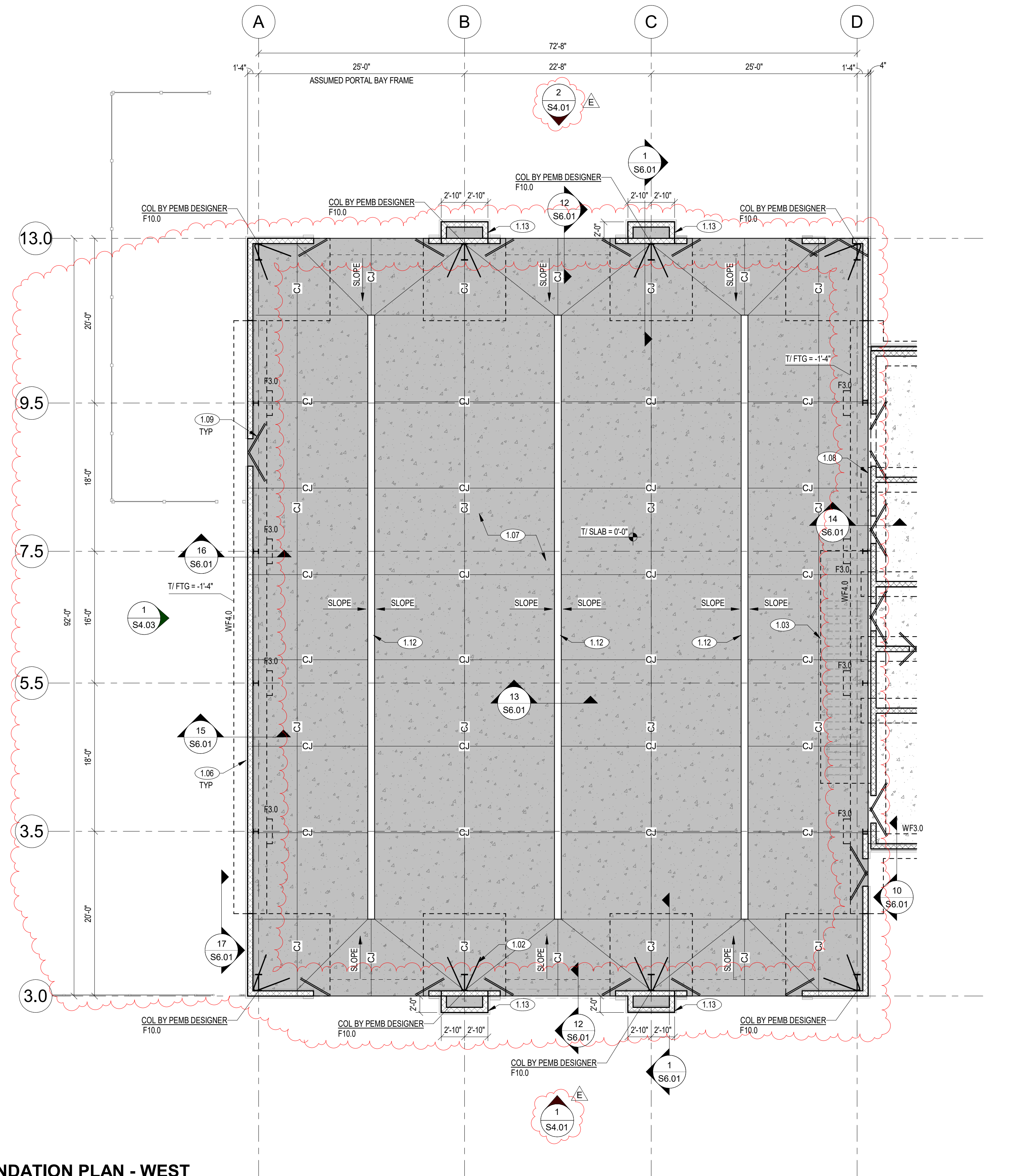




**BRITT, PETERS
AND
ASSOCIATES**
INC.
consulting engineers

101 Falls Park Drive
Suite 801
Greenville, SC 29601
(864) 271-8869
www.brittpeters.com
BPA Project #: 240369



1 FOUNDATION PLAN - WEST
1/8" = 1'-0"

- FOUNDATION PLAN NOTES**
- REF PLAN FOR TOP OF SLAB ELEVATION (T/SLAB), COORD W/ ARCH AND CIVIL
 - TOP OF EXTERIOR FOOTING (T/FTG) = -1'-4" BELOW FINISHED FLOOR, TYPICAL UNO
 - TOP OF INTERIOR FOOTING (T/IFTG) = -0'-8" BELOW FINISHED FLOOR, TYPICAL UNO
 - ALL WOOD THAT IS PERMANENTLY EXPOSED TO THE EXTERIOR SHALL BE PRESERVATIVE-TREATED UNO
 - ALL STEEL THAT IS PERMANENTLY EXPOSED TO THE EXTERIOR SHALL BE HOT-DIPPED GALVANIZED UNO
 - CONTRACTOR TO VERIFY ALL SLAB EDGE, STAIR, AND ELEVATOR OPENING DIMENSIONS WITH ARCH DRAWINGS PRIOR TO CONSTRUCTION
 - REFER TO MECHANICAL, ELECTRICAL, AND PLUMBING DRAWINGS FOR SLAB PENETRATIONS AND UNDERGROUND UTILITIES
 - ALL FOOTINGS TO BE CENTERED ON COLUMNS AND WALLS THEY SUPPORT UNO
 - REFER TO ARCHITECTURAL DRAWINGS FOR EXTENTS AND DIMENSIONS OF RAISED/DEPRESSED SLABS AND AREAS REQUIRING SLOPES AND DRAINS

- FOUNDATION PLAN LEGEND**
- (#)## DENOTES SHEET NOTE, REF SCHEDULE THIS SHEET
 - F# # DENOTES FOOTING (F), REF SCHEDULE ON THIS SHEET
 - WF# # & TS# # DENOTES WALL FOOTING (WF) OR THICKENED SLAB (TS), REF SCHEDULE THIS SHEET
 - (#)## DENOTES 8" CMU WALL REINF W/ (1)## @ 40" OC, TYP UNO
 - (#)## DENOTES WOOD SHEAR WALL, REF SCHEDULE
 - (#)## DENOTES TYPICAL BEARING WALL, REF TYPICAL DETAILS
 - (#)## DENOTES LVL-1 3/4x5 1/2 WALL FRAMING
 - (#)## DENOTES 8" SLAB ON GRADE
 - (#)## DENOTES 4" SLAB ON GRADE

SHEET NOTE SCHEDULE - FOUNDATION PLAN

MARK	DESCRIPTION
1.01	4" CONCRETE SLAB REINF W/ 6#6-W1.4xW1.4 WWR ON 10 MIL VAPOR RETARDER ON 4" GRANULAR BASE ON PREPARED SUBGRADE
1.02	PROVIDE HAIRPINS, REF TYPICAL DETAILS
1.03	PROVIDE 1/2" THICKENED SLAB UNDERNEATH STAIRS FOOTPRINT, GC TO COORD W/ SUPPLIER
1.04	MASONRY PARTITION, REF ARCH AND TYPICAL DETAILS FOR NON LOAD BEARING WALL THICKENED SLAB
1.05	P.T. 8x8 WOOD POST, REF ARCH FOR PROTECTIVE WRAP, PROVIDE CB88 COLUMN BASE, TYP
1.06	SLAB TURNDOWN, REF TYPICAL DETAILS
1.07	8" CONCRETE SLAB REINF W/ #4 @ 12" OC EACH WAY TOP AND BOTTOM ON 10 MIL VAPOR RETARDER ON 6" GRANULAR BASE ON PREPARED SUBGRADE, SLOPE TO DRAIN, REF ARCH
1.08	PROVIDE CONSTRUCTION JOINTS BETWEEN SLABS OF DIFFERING THICKNESS, TYP
1.09	PROVIDE (2)## x 4'-0" LONG RE-ENTRANT CORNER REINFORCEMENT, CENTER IN SLAB
1.10	UNLESS NOTED OTHERWISE, CONTROL JOINT (CJ) SPACING SHALL NOT EXCEED 36x SLAB THICKNESS, SLAB UNITS CREATED BY JOINT LAYOUT SHOULD BE AS SQUARE AS POSSIBLE WITH A MAXIMUM ASPECT RATIO OF 1.25 TO 1
1.11	1'-8" DIA. CONC PIER, REF SECTION FOR REINF
1.12	TRENCH DRAIN, REF PLUMBING DRAWINGS, SLOPE SLAB ON ALL SIDES TOWARD DRAIN, REF ARCH
1.13	FOOTING EXTENSION TO MATCH THICKNESS OF SPREAD FOOTING, EXTEND SPREAD FOOTING BARS AND PROVIDE ADDITIONAL #5 @ 12" BOTTOM SHORTWAY, REF DETAIL

FOUNDATION SCHEDULE - FOOTINGS (F)

MARK	WIDTH "W"	LENGTH "L"	THICKNESS "T"	REINFORCING				REMARKS
				BOTTOM BARS		TOP BARS		
F3.0	3'-0"	3'-0"	1'-0"	(4) #4	(4) #4	--	--	
F5.0	5'-0"	5'-0"	1'-2"	(5) #5	(5) #5	--	--	
F10.0	10'-0"	10'-0"	2'-0"	(9) #7	(9) #7	(9) #7	(9) #7	

GC TO COORDINATE FLOOR DRAINS AND REQUIRED SLOPING WITH ARCH AND MEP DRAWINGS.

FINAL FOUNDATION DESIGN FOR THE PEMB PENDING RECEIPT OF SIGNED AND SEALED PEMB REACTION CALCULATIONS.

FOUNDATION SCHEDULE - WALL FOOTINGS (WF)

MARK	WIDTH "W"	THICKNESS "T"	REINFORCING				REMARKS
			BOTTOM BARS		TOP BARS		
WF3.0	3'-0"	1'-4"	(3) #5	#5 @ 18" OC	--	--	
WF3.0A	3'-0"	1'-4"	(4) #5	#5 @ 12" OC	(4) #5	#5 @ 12" OC	
WF4.0	4'-0"	1'-4"	(5) #5	#5 @ 12" OC	(5) #5	#5 @ 12" OC	

Seal

**DP3
ARCHITECTS**

DP3 Architects, Ltd.
15 South Main Street, Suite 400
Greenville, SC 29601
864.232.6200
www.DP3architects.com

Project

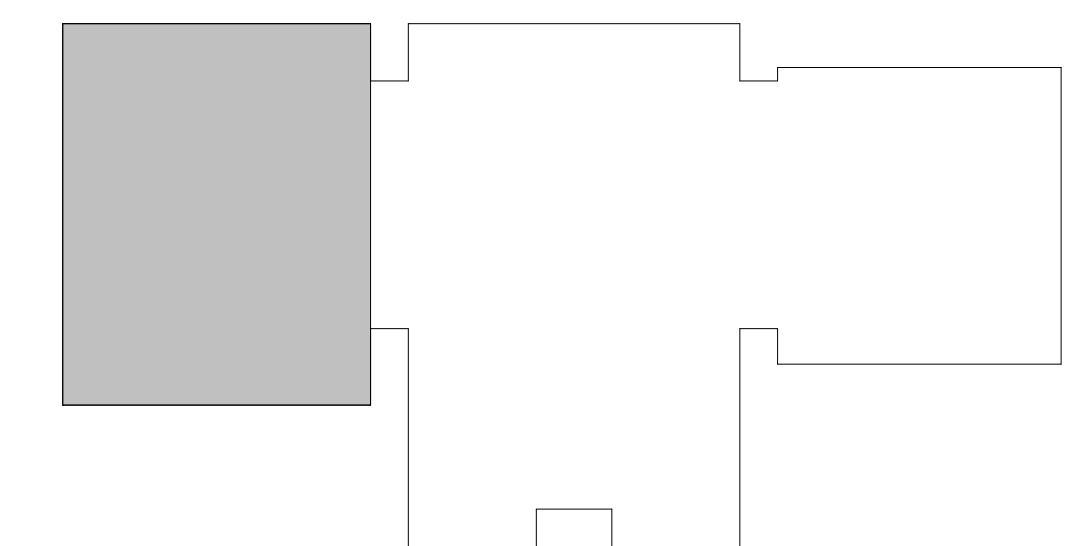


**NEWBERRY COUNTY
PUBLIC SAFETY
COMPLEX**

Project Number 23232
Drawn By AB
Checked By MGR/G
Date 17 APR 2026

Revisions

Rev	Date	Description
A	09 OCT 2024	30% SET
B	16 JAN 2026	60% SET
C	19 FEB 2026	90% SET
D	12 MAR 2026	PERMIT SET
E	20 APR 2026	ADDENDUM 2



KEYPLAN

Drawing
**FOUNDATION PLAN
- WEST**

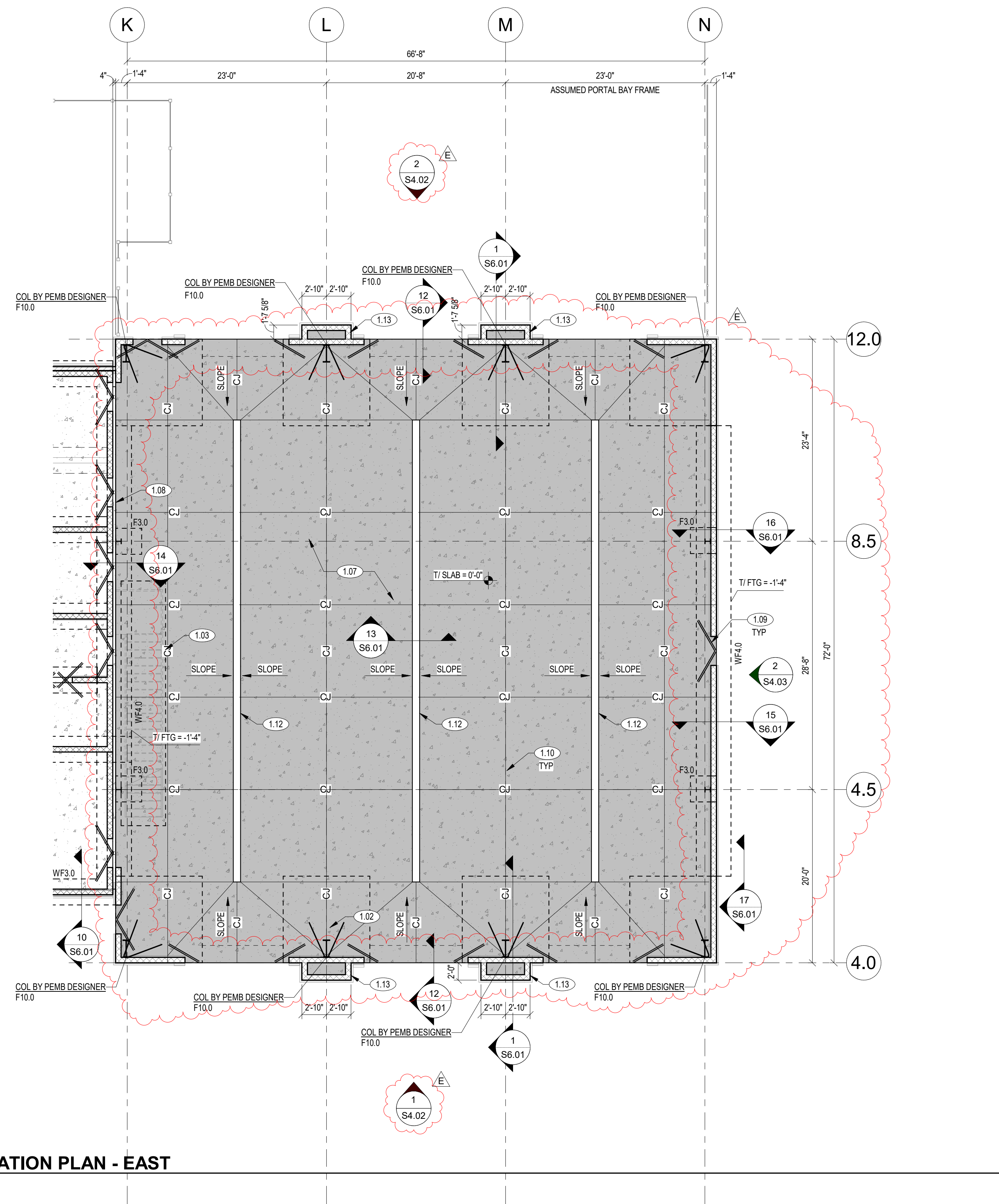
S1.02

Copyright: These Drawings are the property of DP3 Architects, Ltd., and reuse on any other project without written permission will result in legal action.



**BRITT, PETERS
AND
ASSOCIATES**
INC.
consulting engineers

101 Falls Park Drive
Suite 601
Greenville, SC 29601
(864) 271-8869
www.brittpeters.com
BPA Project #: 240369



1 FOUNDATION PLAN - EAST
1/8" = 1'-0"

FOUNDATION PLAN NOTES

- REF PLAN FOR TOP OF SLAB ELEVATION (T/SLAB), COORD W/ ARCH AND CIVIL
- TOP OF EXTERIOR FOOTING (T/FTG) = -1'-4" BELOW FINISHED FLOOR, TYPICAL UNO
- TOP OF INTERIOR FOOTING (T/FTG) = -0'-8" BELOW FINISHED FLOOR, TYPICAL UNO
- ALL WOOD THAT IS PERMANENTLY EXPOSED TO THE EXTERIOR SHALL BE PRESERVATIVE-TREATED UNO
- ALL STEEL THAT IS PERMANENTLY EXPOSED TO THE EXTERIOR SHALL BE HOT-DIPPED GALVANIZED UNO
- CONTRACTOR TO VERIFY ALL SLAB EDGE, STAIR, AND ELEVATOR OPENING DIMENSIONS WITH ARCH DRAWINGS PRIOR TO CONSTRUCTION
- REFER TO MECHANICAL, ELECTRICAL, AND PLUMBING DRAWINGS FOR SLAB PENETRATIONS AND UNDERGROUND UTILITIES
- ALL FOOTINGS TO BE CENTERED ON COLUMNS AND WALLS THEY SUPPORT UNO
- REFER TO ARCHITECTURAL DRAWINGS FOR EXTENTS AND DIMENSIONS OF RAISED/DEPRESSED SLABS AND AREAS REQUIRING SLOPES AND DRAINS

FOUNDATION PLAN LEGEND

- #.#** DENOTES SHEET NOTE, REF SCHEDULE THIS SHEET
- F#** DENOTES FOOTING (F), REF SCHEDULE ON THIS SHEET
- WF# & TS#** DENOTES WALL FOOTING (WF) OR THICKENED SLAB (TS), REF SCHEDULE THIS SHEET
-
-
-
-
-
-

SHEET NOTE SCHEDULE - FOUNDATION PLAN

MARK	DESCRIPTION
1.01	4" CONCRETE SLAB REINF W/ 6#6-W1.4xW1.4 WWR ON 10 MIL VAPOR RETARDER ON 4" GRANULAR BASE ON PREPARED SUBGRADE
1.02	PROVIDE HARRINGS, REF TYPICAL DETAILS
1.03	PROVIDE 12" THICKENED SLAB UNDERNEATH STAIRS FOOTPRINT. GC TO COORD W/ SUPPLIER.
1.04	MASONRY PARTITION, REF ARCH AND TYPICAL DETAILS FOR NON LOAD BEARING WALL THICKENED SLAB
1.05	P.T. 2x4 WOOD POST, REF ARCH FOR PROTECTIVE WRAP. PROVIDE C888 COLUMN BASE, TYP.
1.06	SLAB TURNDOWN, REF TYPICAL DETAILS
1.07	8" CONCRETE SLAB REINF W/ #4 @ 12" OC EACH WAY TOP AND BOTTOM ON 10 MIL VAPOR RETARDER ON 6" GRANULAR BASE ON PREPARED SUBGRADE. SLOPE TO DRAIN, REF ARCH
1.08	PROVIDE CONSTRUCTION JOINTS BETWEEN SLABS OF DIFFERING THICKNESS, TYP
1.09	PROVIDE 2#4 x 4'-0" LONG RE-ENTRANT CORNER REINFORCEMENT, CENTER IN SLAB
1.10	UNLESS NOTED OTHERWISE, CONTROL JOINT (CJ) SPACING SHALL NOT EXCEED 36x SLAB THICKNESS. SLAB UNITS CREATED BY JOINT LAYOUT SHOULD BE AS SQUARE AS POSSIBLE WITH A MAXIMUM ASPECT RATIO OF 1.25 TO 1.
1.11	1'-6" DIA CONC PIER, REF SECTION FOR REINF
1.12	TRENCH DRAIN, REF PLUMBING DRAWINGS. SLOPE SLAB ON ALL SIDES TOWARD DRAIN, REF ARCH
1.13	FOOTING EXTENSION TO MATCH THICKNESS OF SPREAD FOOTING. EXTEND SPREAD FOOTING BARS AND PROVIDE ADDITIONAL #5 @ 12" BOTTOM SHORTWAY, REF DETAIL.

FOUNDATION SCHEDULE - SPREAD FOOTINGS (F)

MARK	WIDTH "W"	LENGTH "L"	THICKNESS "T"	REINFORCING				REMARKS
				BOTTOM BARS		TOP BARS		
F3.0	3'-0"	3'-0"	1'-0"	(4) #4	(4) #4	--	--	
F3.0	5'-0"	5'-0"	1'-2"	(5) #5	(5) #5	--	--	
F10.0	10'-0"	10'-0"	2'-0"	(9) #7	(9) #7	(9) #7	(9) #7	

FOUNDATION SCHEDULE - WALL FOOTINGS (WF)

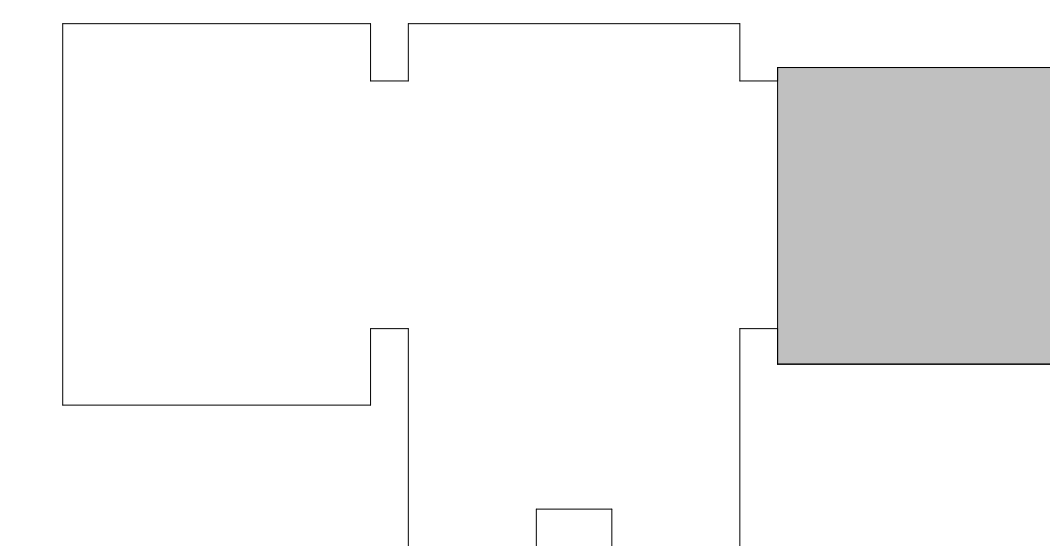
MARK	WIDTH "W"	THICKNESS "T"	REINFORCING				REMARKS
			BOTTOM BARS		TOP BARS		
WF3.0TS	3'-0"	1'-4"	(2) #4	#5 @ 18" OC	--	--	
WF3.0	3'-0"	1'-4"	(3) #5	#5 @ 18" OC	--	--	
WF4.0	4'-0"	1'-4"	(5) #5	#5 @ 12" OC	(5) #5	#5 @ 12" OC	

GC TO COORDINATE FLOOR DRAINS AND REQUIRED SLOPING WITH ARCH AND MEP DRAWINGS.

FINAL FOUNDATION DESIGN FOR THE PEMB PENDING RECEIPT OF SIGNED AND SEALED PEMB REACTION CALCULATIONS.

FOUNDATION SCHEDULE - WALL FOOTINGS (WF)

MARK	WIDTH "W"	THICKNESS "T"	REINFORCING				REMARKS
			BOTTOM BARS		TOP BARS		
WF3.0TS	3'-0"	1'-4"	(2) #4	#5 @ 18" OC	--	--	
WF3.0	3'-0"	1'-4"	(3) #5	#5 @ 18" OC	--	--	
WF4.0	4'-0"	1'-4"	(5) #5	#5 @ 12" OC	(5) #5	#5 @ 12" OC	



KEYPLAN

Seal



DP3 Architects, Ltd.
15 South Main Street, Suite 400
Greenville, SC 29601
864.232.6200
www.DP3architects.com

Project



**NEWBERRY COUNTY
PUBLIC SAFETY
COMPLEX**

Project Number 23232
Drawn By AB
Checked By MGRG
Date 17 APR 2026

Revisions

A	09 OCT 2024	30% SET
B	16 JAN 2026	60% SET
C	19 FEB 2026	90% SET
D	12 MAR 2026	PERMIT SET
E	20 APR 2026	ADDENDUM 2

Drawing

FOUNDATION PLAN
- EAST

S1.04

Copyright: These Drawings are the property of DP3 Architects, Ltd., and reuse on any other project without written permission will result in legal action.



**BRITT, PETERS
AND
ASSOCIATES**
INC.
consulting engineers

101 Falls Park Drive
Suite 601
Greenville, SC 29601
(864) 271-8869
www.brittpeters.com
BPA Project #: 240369

ROOF FRAMING PLAN NOTES

1. REF PLAN FOR TRUSS BEARING (TBEARING), COORD W/ ARCH.
2. ALL WOOD THAT IS PERMANENTLY EXPOSED TO THE EXTERIOR SHALL BE PRESERVATIVE-TREATED UNDO.
3. ALL STEEL THAT IS PERMANENTLY EXPOSED TO THE EXTERIOR SHALL BE HOT-DIPPED GALVANIZED UNDO.
4. ALL BLOCKING AND DRAC TRUSSES SHALL BE DESIGNED BY THE TRUSS SUPPLIER TO TRANSFER THE SERVICE LEVEL LATERAL LOAD DENOTED ON PLAN FROM THE ROOF SHEATHING DOWN TO THE LATERAL SYSTEM.

ROOF FRAMING PLAN LEGEND

- #.## DENOTES SHEET NOTE, REF SCHEDULE THIS SHEET
- DENOTES DECK SPAN DIRECTION
- GT DENOTES GIRDER TRUSS, DESIGNED BY SUPPLIER
- DT DENOTES DRAG TRUSS, DESIGNED BY SUPPLIER, REF PLAN FOR DESIGN LOAD
- TX DENOTES TRUSS TYPE WHERE "X" CORRESPONDS TO PROFILE, REF TRUSS PROFILES
- DENOTES WOOD SHEAR WALL, REF SCHEDULE
- ▨ DENOTES WOOD OVERBUILD TRUSSES BY TRUSS SUPPLIER
- DENOTES 4" EXPANSION JOINT
- DENOTES CONT BLOCKING W/ SIMPSON STRAP, REF SECTIONS

SHEET NOTE SCHEDULE - ROOF FRAMING...

MARK	DESCRIPTION
3.01	PREFAB WOOD TRUSSES BY SUPPLIER @ 2'-0" OC MAX, REF TRUSS PROFILES
3.02	5/8" ROOF SHEATHING, REF GENERAL NOTES FOR SPECIFICATIONS AND ATTACHMENTS
3.03	DENOTES 4" EXPANSION JOINT
3.04	TRUSS SUPPLIER TO DESIGN OUTRIGGERS FOR COMPONENTS AND CLADDING CORNER PRESSURES WHERE "s" REFERS TO WIDTH OF ZONE, REF GENERAL NOTES
3.05	STEP TOP OF WALL, REF SECTIONS
3.06	SIMPSON DECK TENSION TIE, REF DETAILS

Seal

DP3
ARCHITECTS

DP3 Architects, Ltd.
15 South Main Street, Suite 400
Greenville, SC 29601
864.232.6200
www.DP3architects.com

Project



**NEWBERRY COUNTY
PUBLIC SAFETY
COMPLEX**

Project Number 23232
Drawn By AB
Checked By MGRG
Date 17 APR 2026

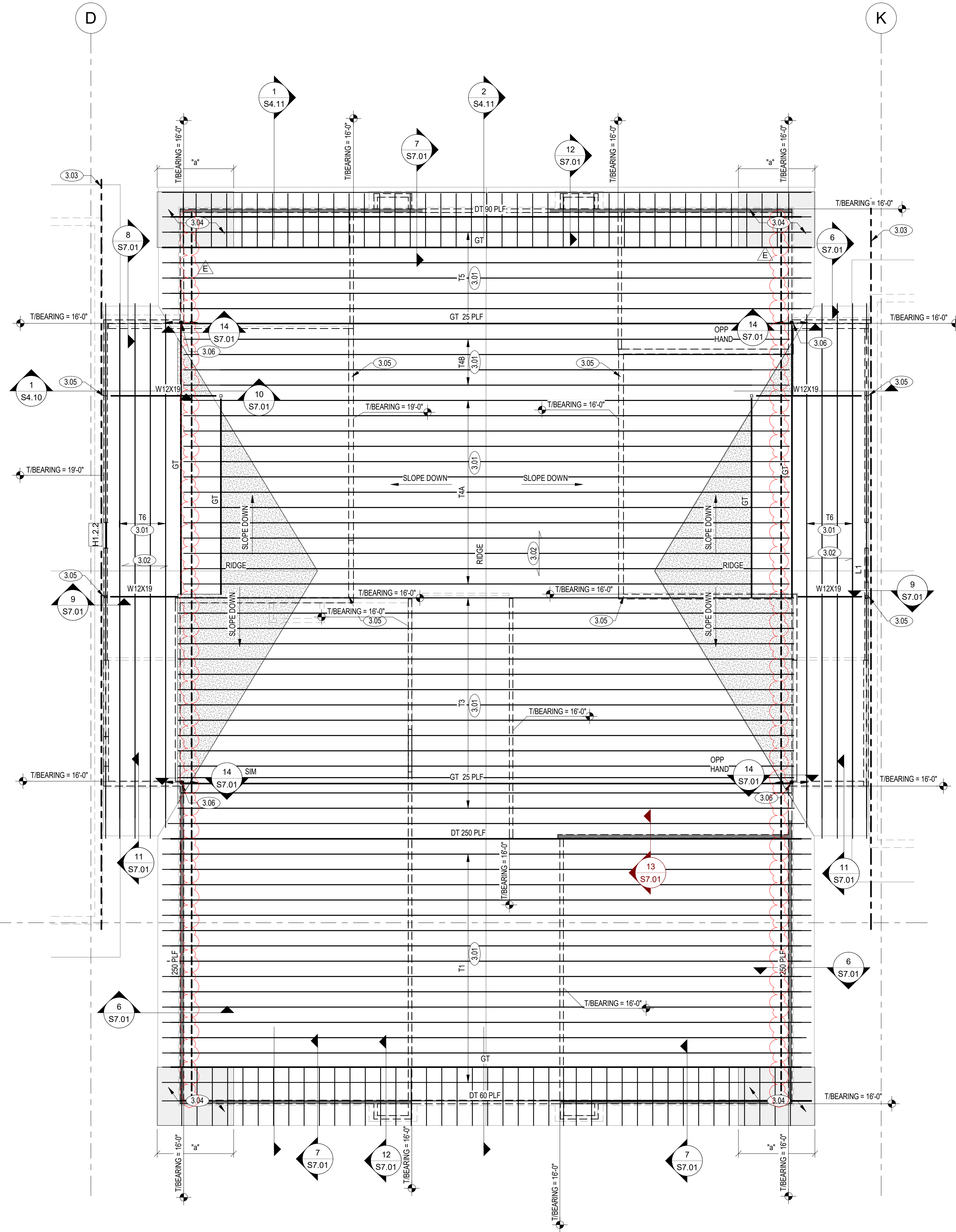
Revisions

- | | | |
|---|-------------|------------|
| A | 09 OCT 2024 | 30% SET |
| B | 16 JAN 2026 | 60% SET |
| C | 19 FEB 2026 | 90% SET |
| D | 12 MAR 2026 | PERMIT SET |
| E | 20 APR 2026 | ADDENDUM 2 |

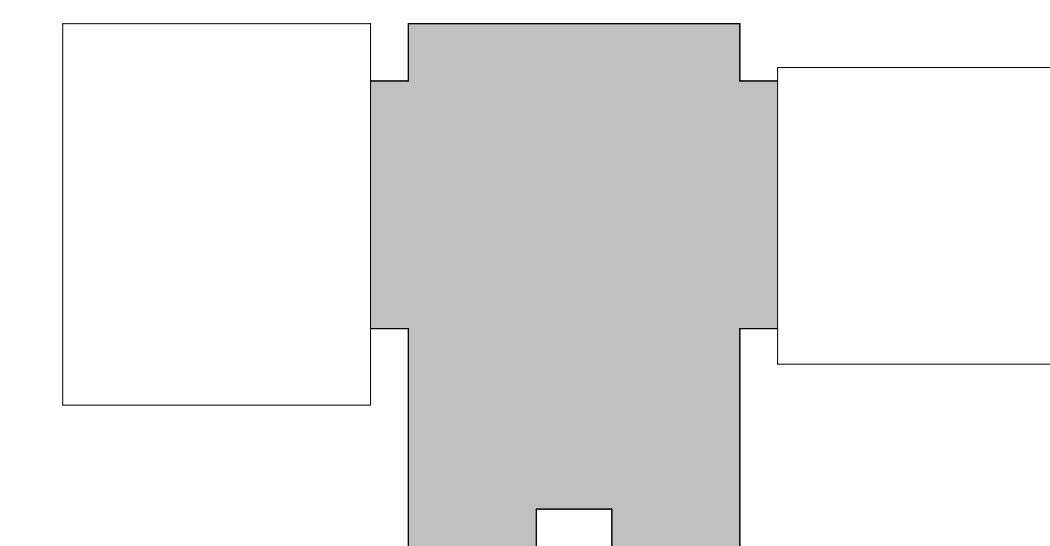
Drawing

**ROOF FRAMING
PLAN - CENTER**

S3.02



1 ROOF LEVEL - 2 CENTER
1/8" = 1'-0"



KEYPLAN

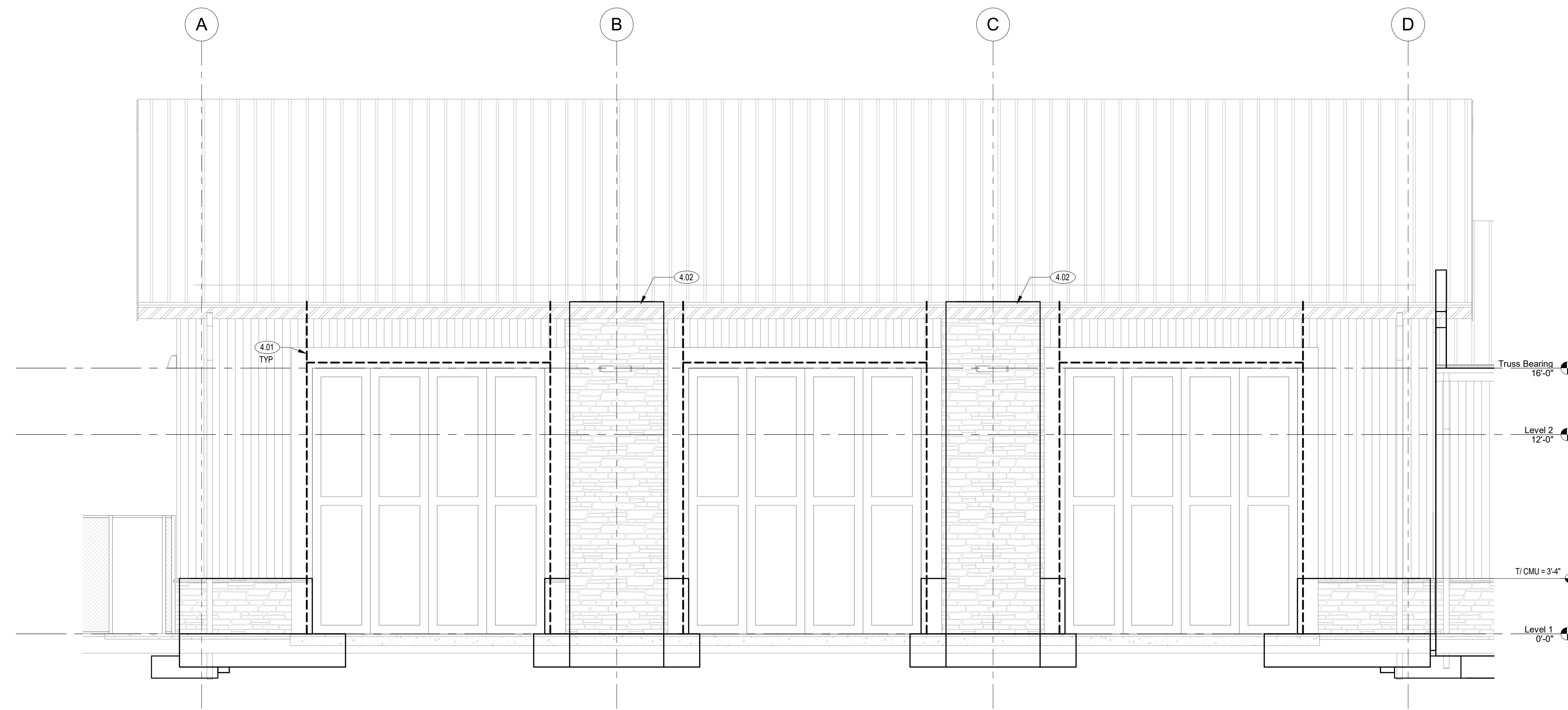
Copyright: These Drawings are the property of DP3 Architects, Ltd., and reuse on any other project without written permission will result in legal action.



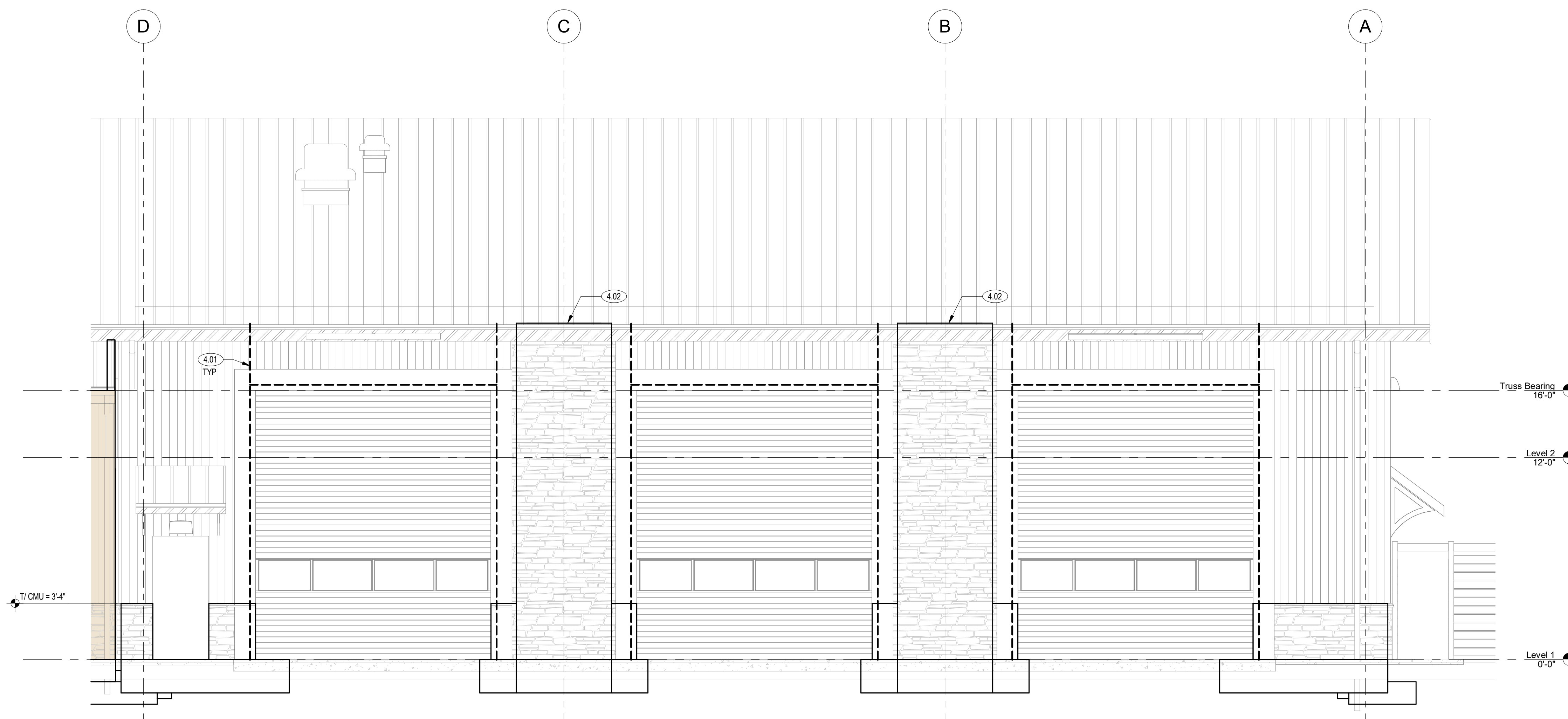
BRITT, PETERS
AND
ASSOCIATES
INC.
consulting engineers

101 Falls Park Drive
Suite 601
Greenville, SC 29601
(864) 271-8869
www.brittpeters.com
BPA Project #: 240369

SHEET NOTE SCHEDULE - ELEVATIONS		###
REF PLANS AND DETAILS FOR SHEET NOTES REQUIRED; NOT ALL NOTES APPLICABLE TO THIS SHEET		
MARK	DESCRIPTION	
4.01	METAL GIRT BY PEMB SUPPLIER	
4.02	TOP OF CMU BRACING BY PEMB SUPPLIER	



1 ELEVATION
1/4" = 1'-0"



2 ELEVATION
1/4" = 1'-0"

Seal

DP3
ARCHITECTS

DP3 Architects, Ltd.
15 South Main Street, Suite 400
Greenville, SC 29601
864.232.6200
www.DP3architects.com

Project



NEWBERRY COUNTY
PUBLIC SAFETY
COMPLEX

Project Number 23232
Drawn By AB
Checked By MG/RG
Date 17 APR 2026

Revisions
E 20 APR 2026 ADDENDUM 2

Drawing

BUILDING
ELEVATIONS

S4.01

Copyright: These Drawings are the property of DP3 Architects, Ltd., and reuse on any other project without written permission will result in legal action.



BRITT, PETERS
AND
ASSOCIATES
INC.
consulting engineers

101 Falls Park Drive
Suite 601
Greenville, SC 29601
(864) 271-8869
www.brittpeters.com
BPA Project #: 240369

SHEET NOTE SCHEDULE - ELEVATIONS		###
REF PLANS AND DETAILS FOR SHEET NOTES REQUIRED; NOT ALL NOTES APPLICABLE TO THIS SHEET		
MARK	DESCRIPTION	
4.01	METAL GIRT BY PEMB SUPPLIER	
4.02	TOP OF CMU BRACING BY PEMB SUPPLIER	

Seal

DP3
ARCHITECTS

DP3 Architects, Ltd.
15 South Main Street, Suite 400
Greenville, SC 29601
864.232.6200
www.DP3architects.com

Project



NEWBERRY COUNTY
PUBLIC SAFETY
COMPLEX

Project Number 23232
Drawn By AB
Checked By MG/RG
Date 17 APR 2026

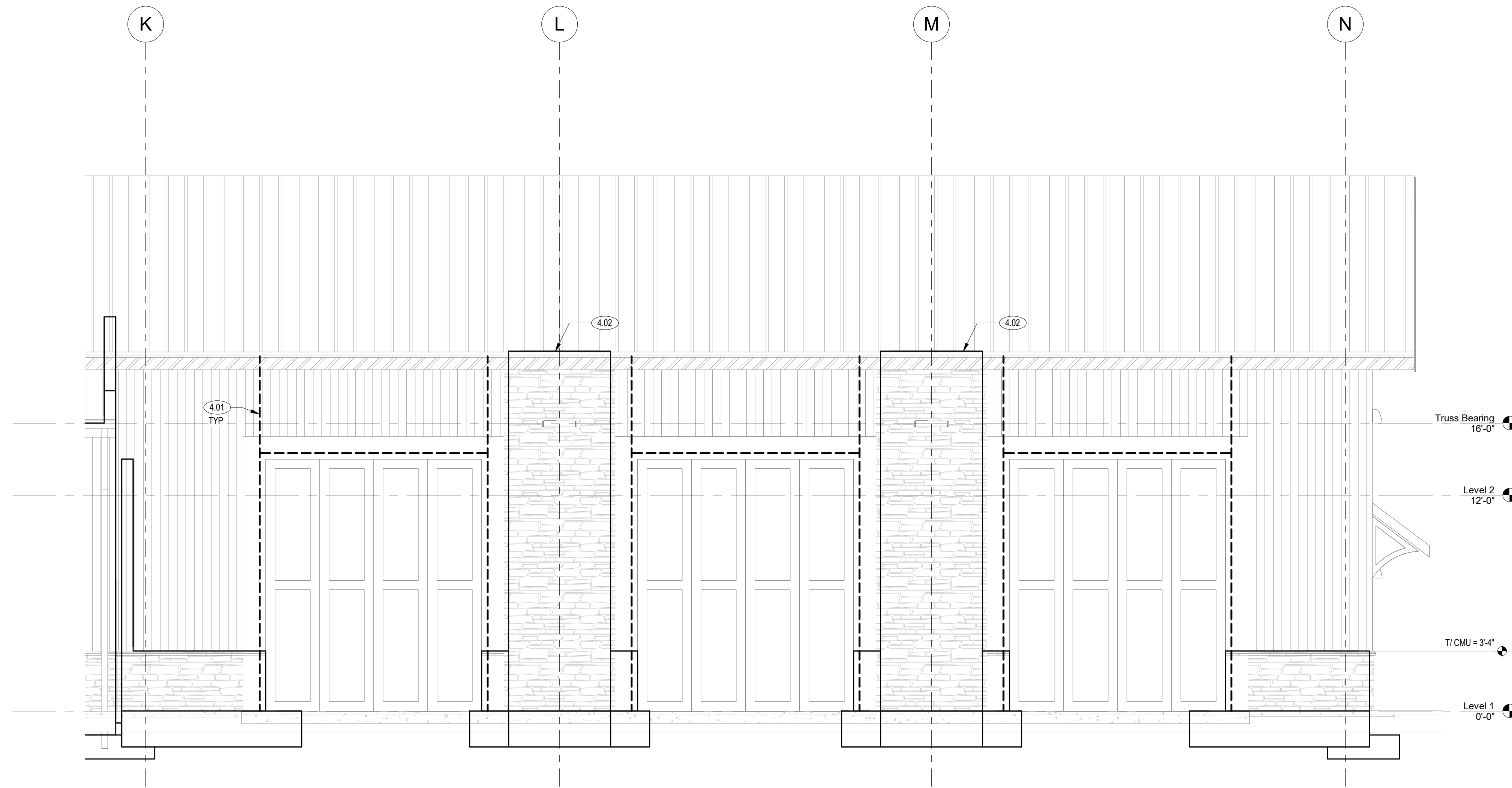
Revisions
E 20 APR 2026 ADDENDUM 2

Drawing

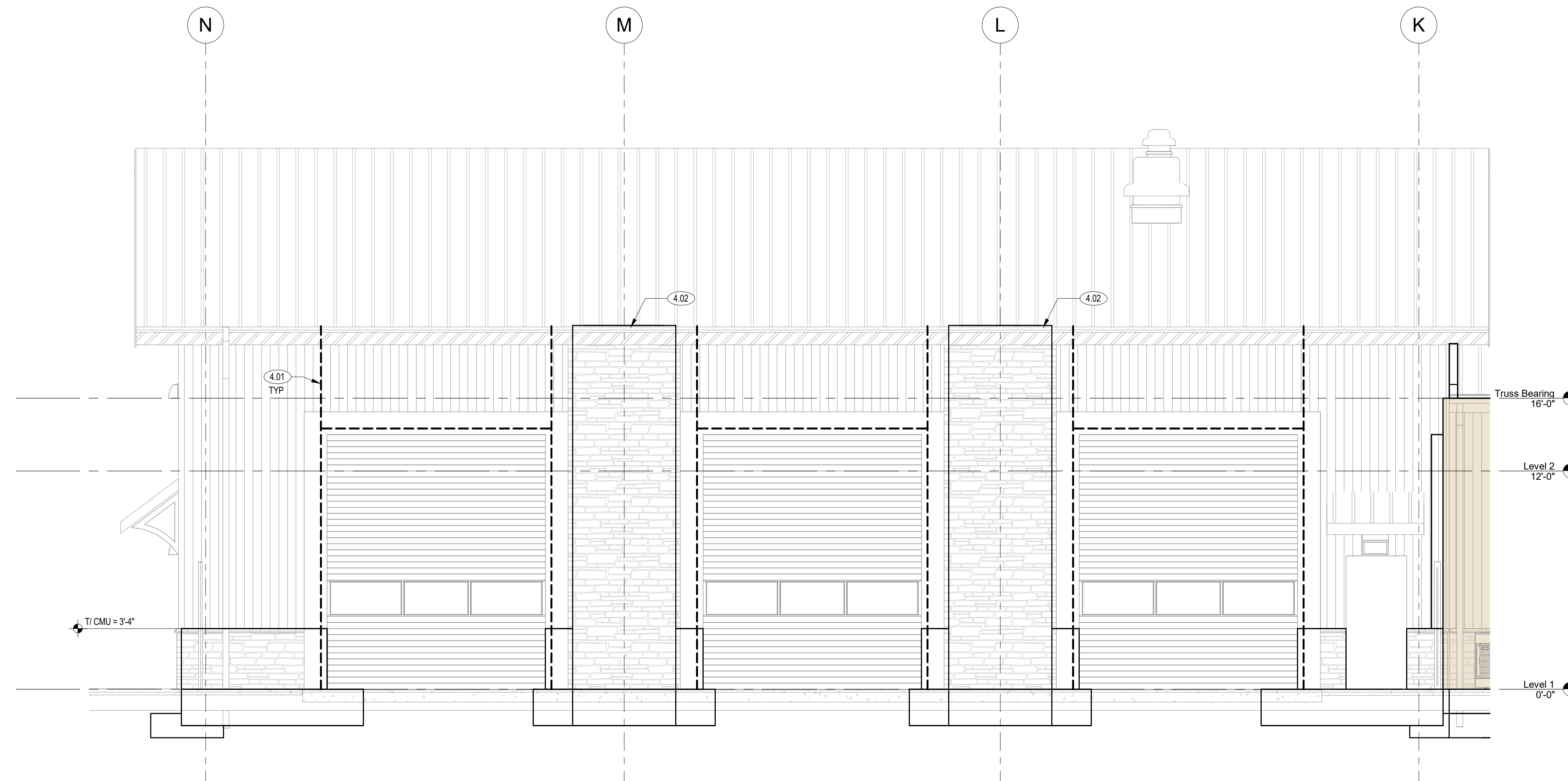
BUILDING
ELEVATIONS

S4.02

Copyright: These Drawings are the property of DP3 Architects, Ltd., and reuse on any other project without written permission will result in legal action.



1 ELEVATION
1/4" = 1'-0"



2 ELEVATION
1/4" = 1'-0"



**BRITT, PETERS
AND
ASSOCIATES
INC.**
consulting engineers

101 Falls Park Drive
Suite 601
Greenville, SC 29601
(864) 271-8869
www.brittpeters.com
BPA Project #: 240369

Seal

DP3
ARCHITECTS

DP3 Architects, Ltd.
15 South Main Street, Suite 400
Greenville, SC 29601
864.232.6200
www.DP3architects.com

Project



**NEWBERRY COUNTY
PUBLIC SAFETY
COMPLEX**

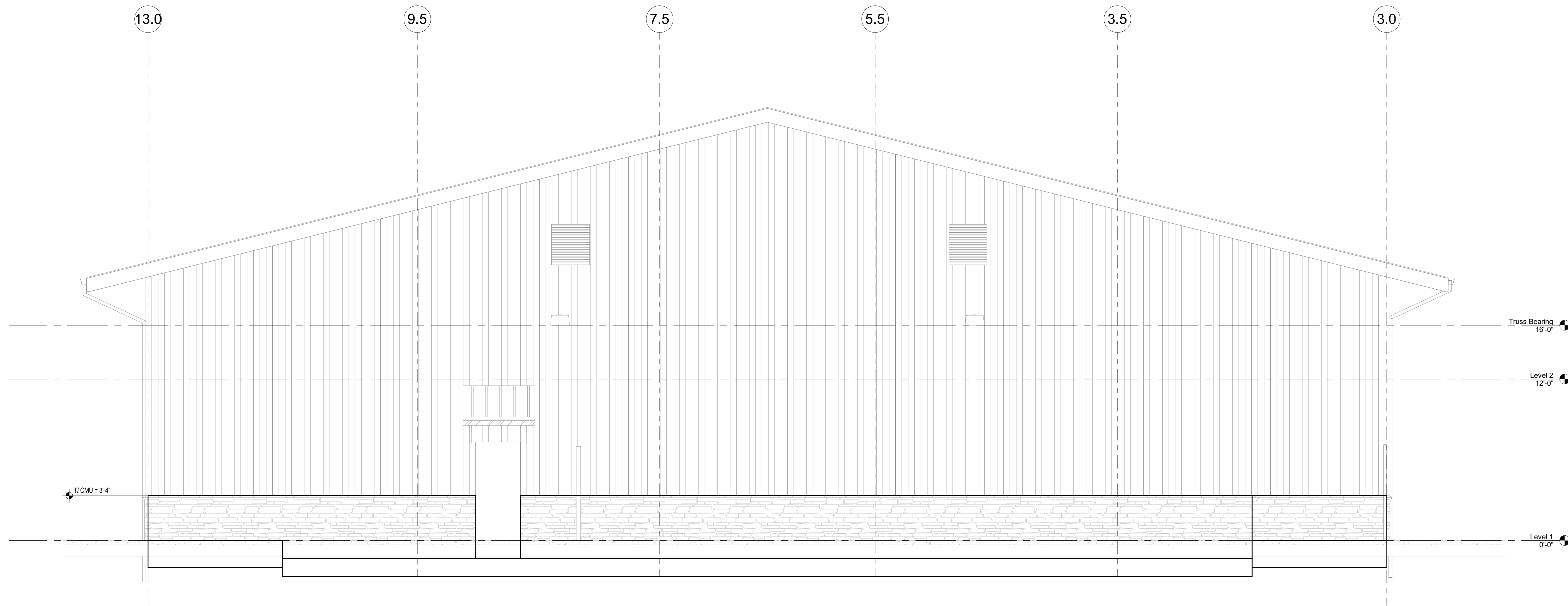
Project Number 23232
Drawn By Author
Checked By Checker
Date 17 APR 2026

Revisions
E 20 APR 2026 ADDENDUM 2

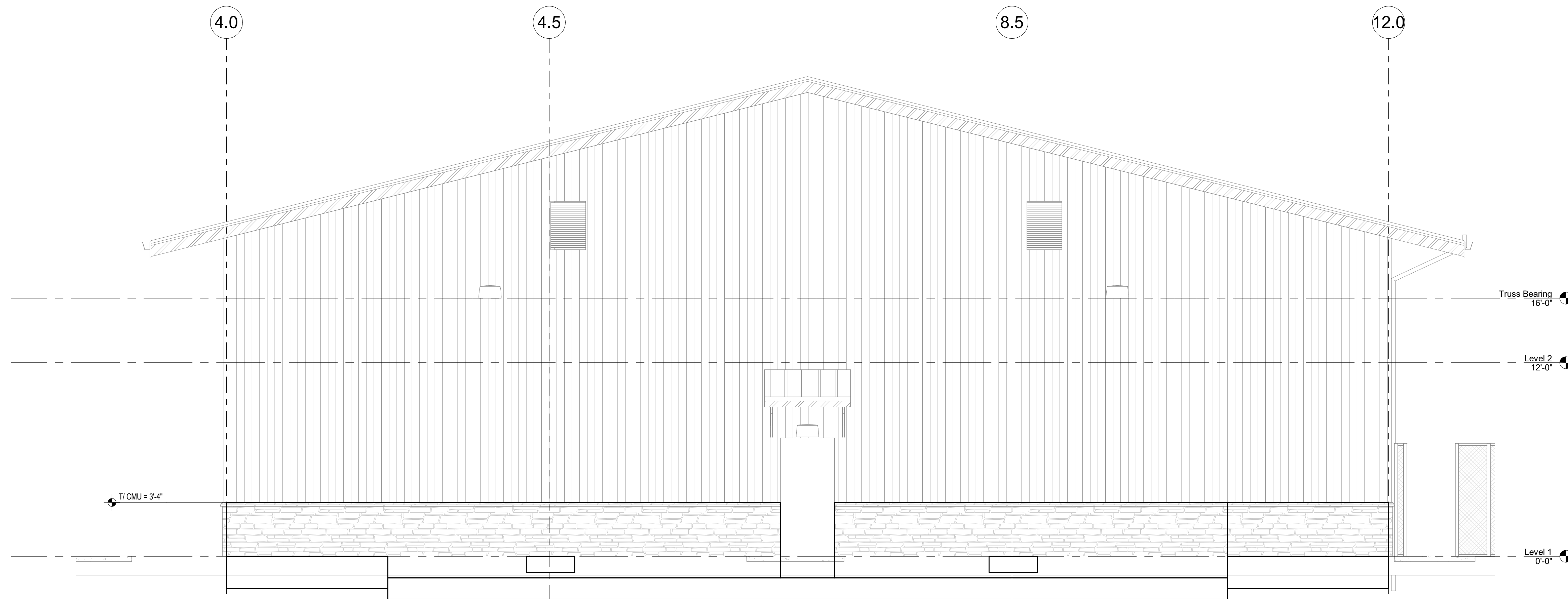
Drawing

**BUILDING
ELEVATIONS**

S4.03



1 ELEVATION
1/4" = 1'-0"



2 ELEVATION
1/4" = 1'-0"

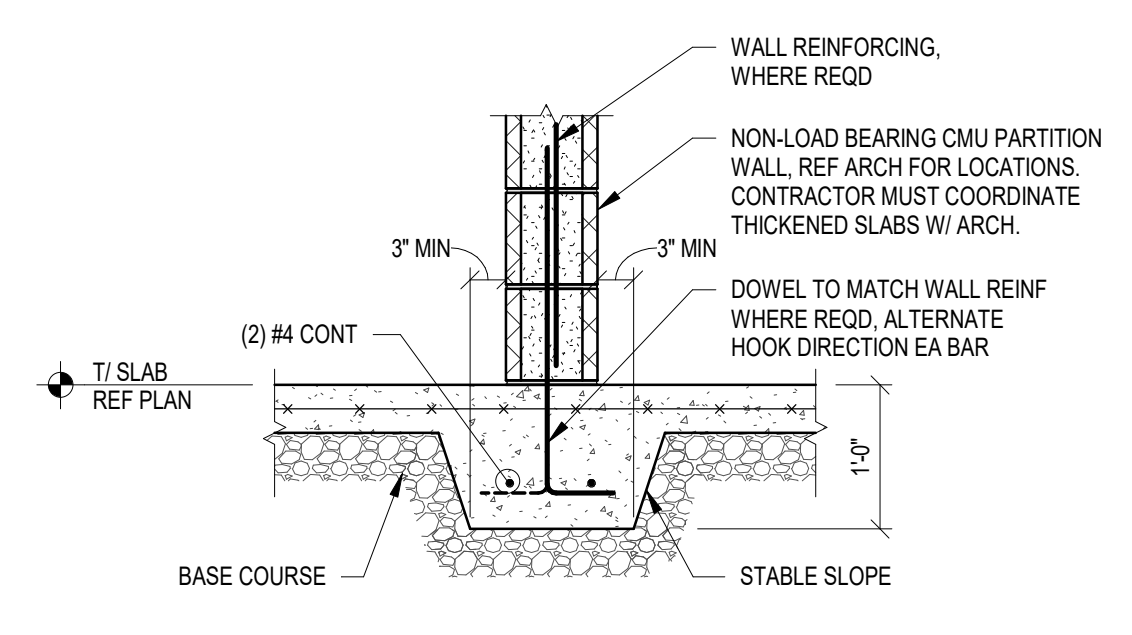
Copyright: These Drawings are the property of DP3 Architects, Ltd., and reuse on any other project without written permission will result in legal action.



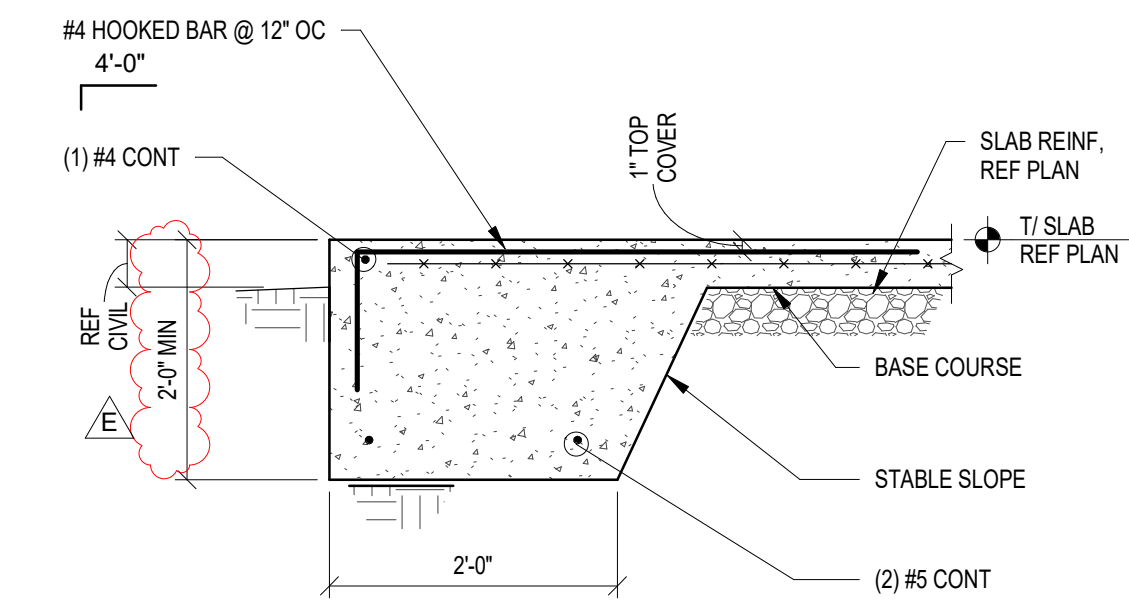
BRITT, PETERS
AND
ASSOCIATES
INC.
consulting engineers

101 Falls Park Drive
Suite 601
Greenville, SC 29601
(864) 271-8869
www.brittpeters.com
BPA Project #: 240369

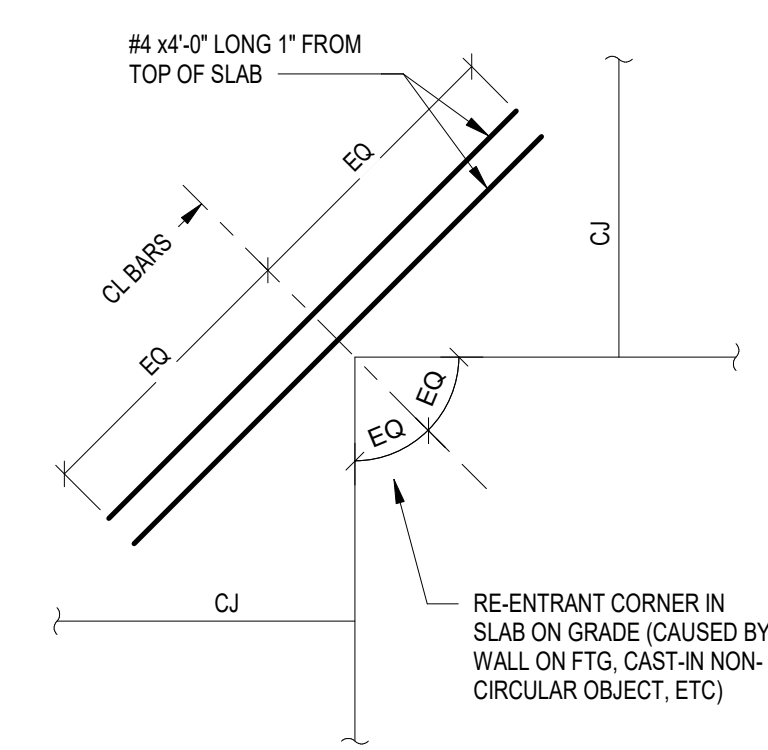
NOTE REGARDING REINF COVER REQUIREMENTS
ALL REINFORCING SHALL BE PLACED IN ACCORDANCE WITH THE MINIMUM COVER REQUIREMENTS PER ACI AS OUTLINED IN THE GENERAL NOTES. SPECIFIC BAR LOCATIONS SHOWN IN SECTIONS AND DETAILS MAY OVERRIDE BUT NOT VIOLATE THE MINIMUM COVER REQUIREMENTS.



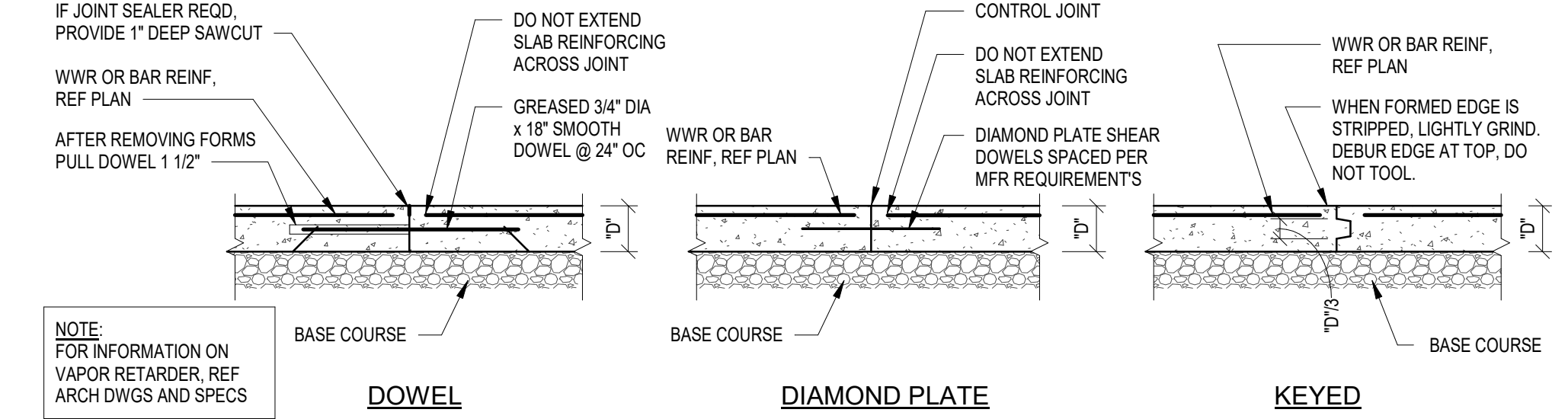
1 THICKENED SLAB AT NON-LOADBEARING INTERIOR WALLS
3/4" = 1'-0"



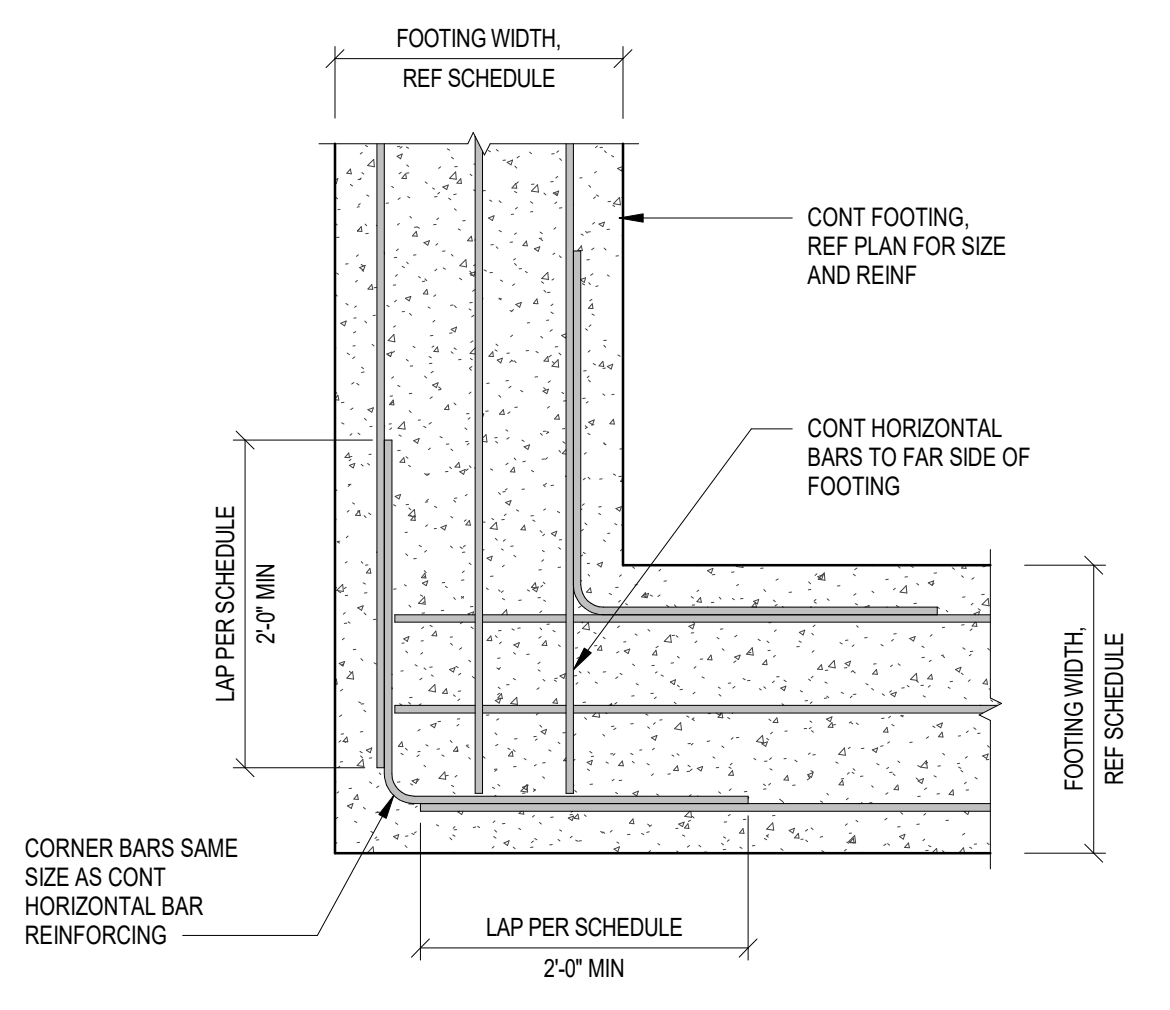
2 TYPICAL TURNDOWN SLAB
3/4" = 1'-0"



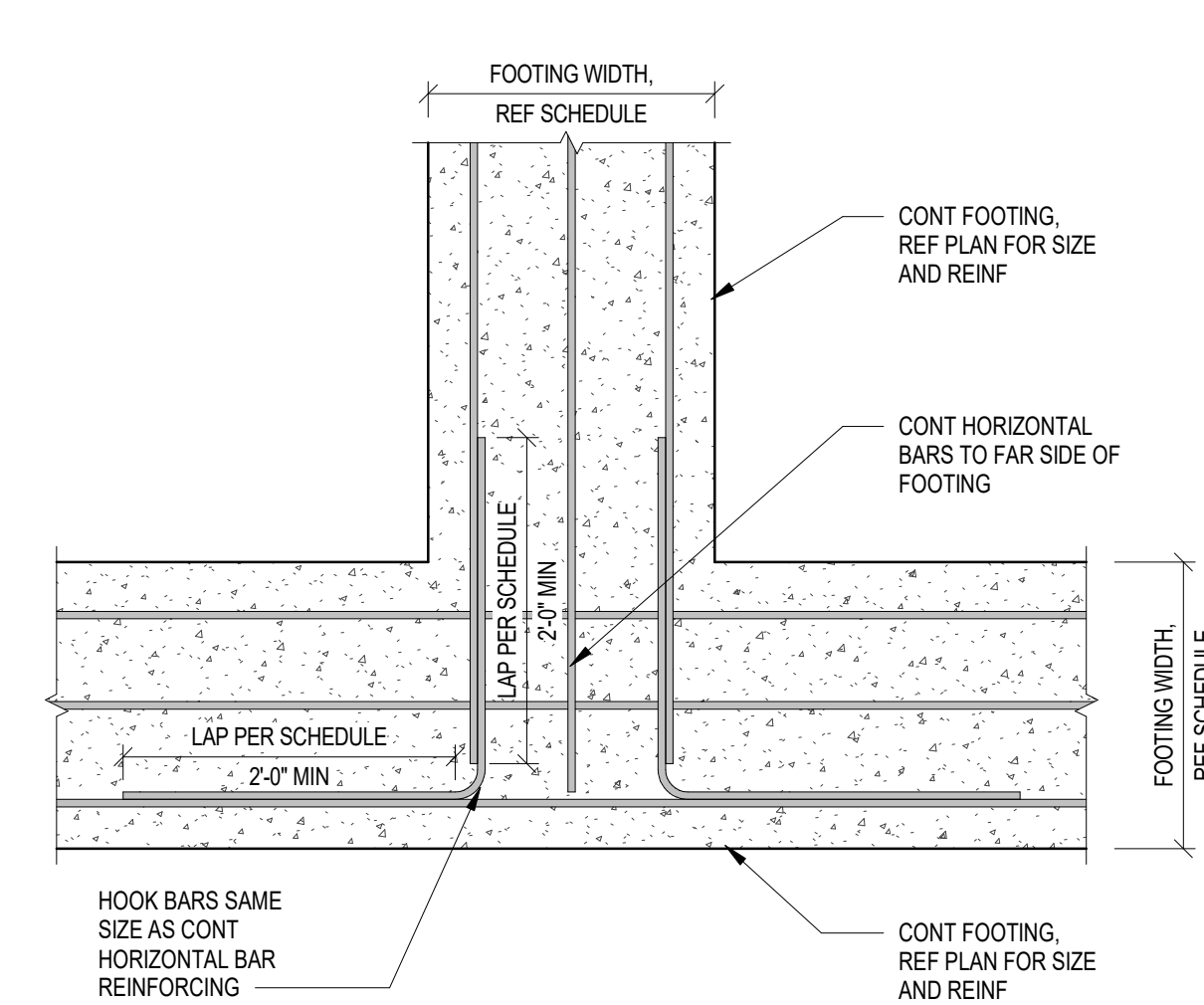
3 TYPICAL PLAN DETAIL AT RE-ENTRANT CORNER
3/4" = 1'-0"



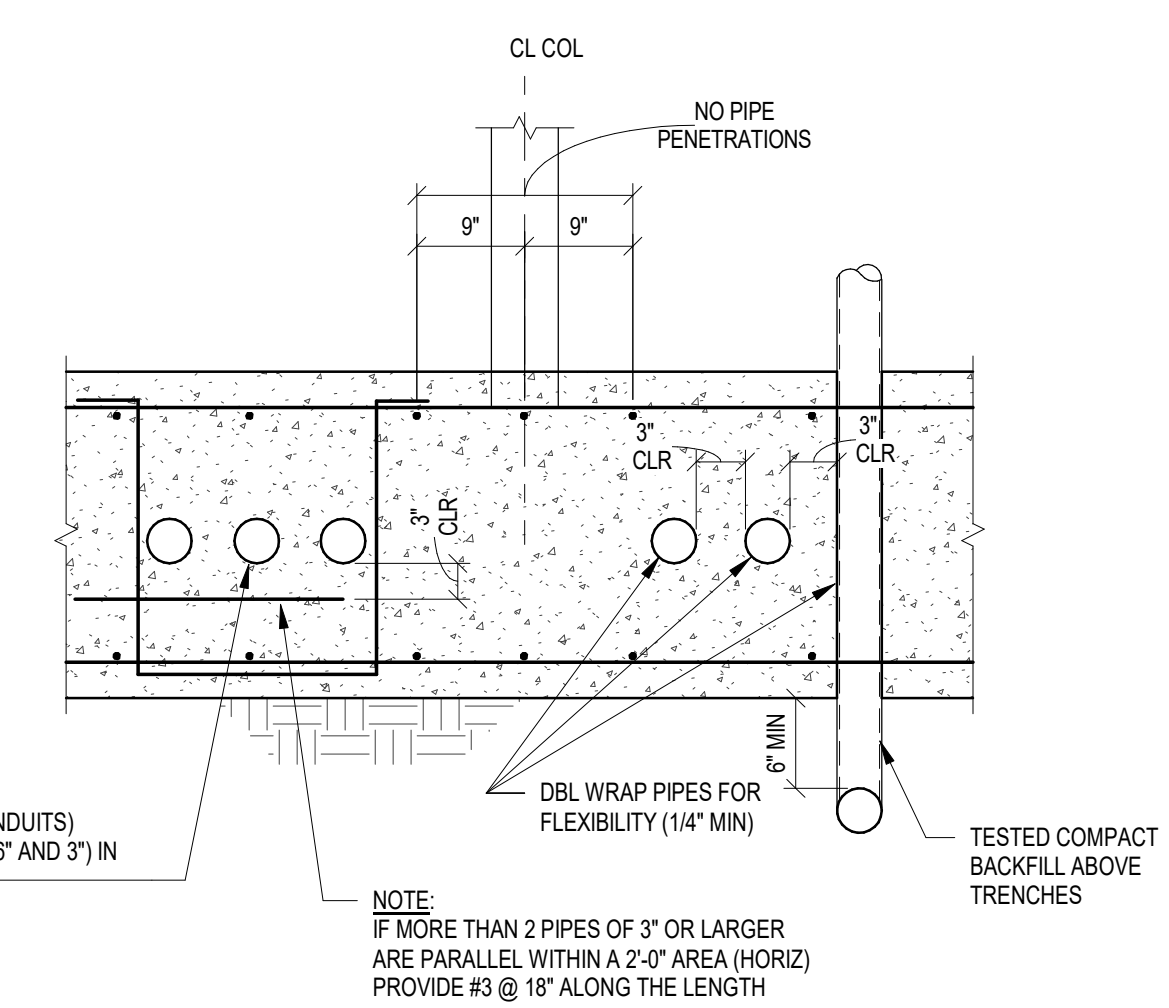
4 TYPICAL CONSTRUCTION JOINT
3/4" = 1'-0"



5 TYPICAL FOOTING CORNER REINFORCING DETAIL
3/4" = 1'-0"



6 TYPICAL FOOTING INTERSECTION REINFORCING INTERSECTION
3/4" = 1'-0"

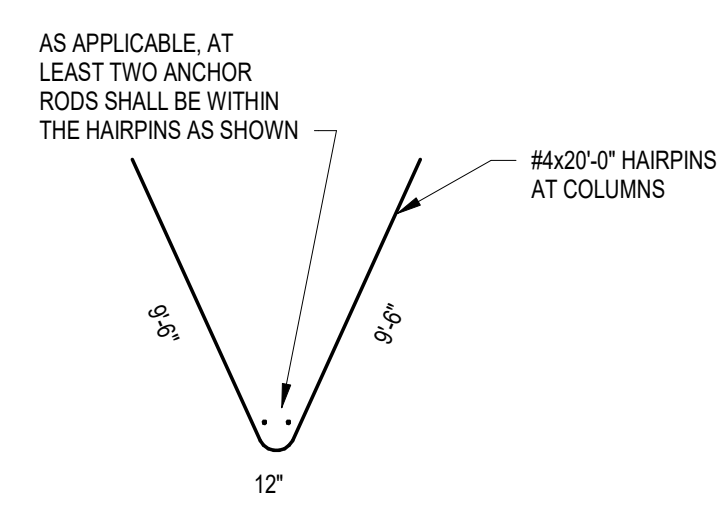


7 TYPICAL PENETRATION THRU FOOTING
3/4" = 1'-0"

REINFORCING BAR LAP LENGTH SCHEDULE (CLASS B)				
GRADE 60 STEEL				
NORMAL WEIGHT CONCRETE STRENGTH				
BAR	3000 PSI	4000 PSI	5000 PSI	7000 PSI
#3	21"	18"	17"	14"
#4	28"	25"	22"	19"
#5	36"	31"	28"	23"
#6	43"	37"	33"	28"
#7	62"	54"	48"	41"
#8	71"	62"	55"	47"
#9	80"	70"	62"	53"
#10	90"	78"	70"	59"
#11	100"	87"	78"	66"

LAP SCHEDULE NOTES:
1. LENGTH SHOWN CONFORM TO NON-SEISMIC PROVISIONS OF ACI 318 FOR UNCOATED BARS ENCLOSED BY PROPERLY SPACED TIES OR STIRRUPS
2. LENGTH IN TABLE SHALL BE FACTORED FOR THE FOLLOWING CONDITIONS:
• HORIZONTAL BARS MORE THAN 12" ABOVE BOTTOM OF CAST MEMBER: 1.3xTABLE LENGTH
• LIGHT WEIGHT CONCRETE: 1.3xTABLE LENGTH
• BAR CLEAR SPACING SHALL BE NO LESS THAN ONE BAR DIAMETER AND/OR BAR CLEAR COVER LESS THAN ONE BAR DIAMETER: 1.5xTABLE LENGTH
• WHERE MORE THAN ONE CONDITION APPLIES, ALL APPLICABLE FACTORS SHALL BE APPLIED TO LENGTH INDICATED IN TABLE
3. THIS TABLE SHALL APPLY UNLESS SPECIFICALLY NOTED, DETAILED OR SCHEDULED OTHERWISE
4. UNLESS NOTED OTHERWISE ALL REINFORCING BARS SHALL LAP AROUND CORNERS

9 REINF BAR LAP LENGTH SCHEDULE
3/4" = 1'-0"



10 TYPICAL HAIRPIN DETAIL
3/8" = 1'-0"

Copyright: These Drawings are the property of DP3 Architects, Ltd., and reuse on any other project without written permission will result in legal action.

Seal

DP3
ARCHITECTS

DP3 Architects, Ltd.
15 South Main Street, Suite 400
Greenville, SC 29601
864.232.6200
www.DP3architects.com

Project



NEWBERRY COUNTY
PUBLIC SAFETY
COMPLEX

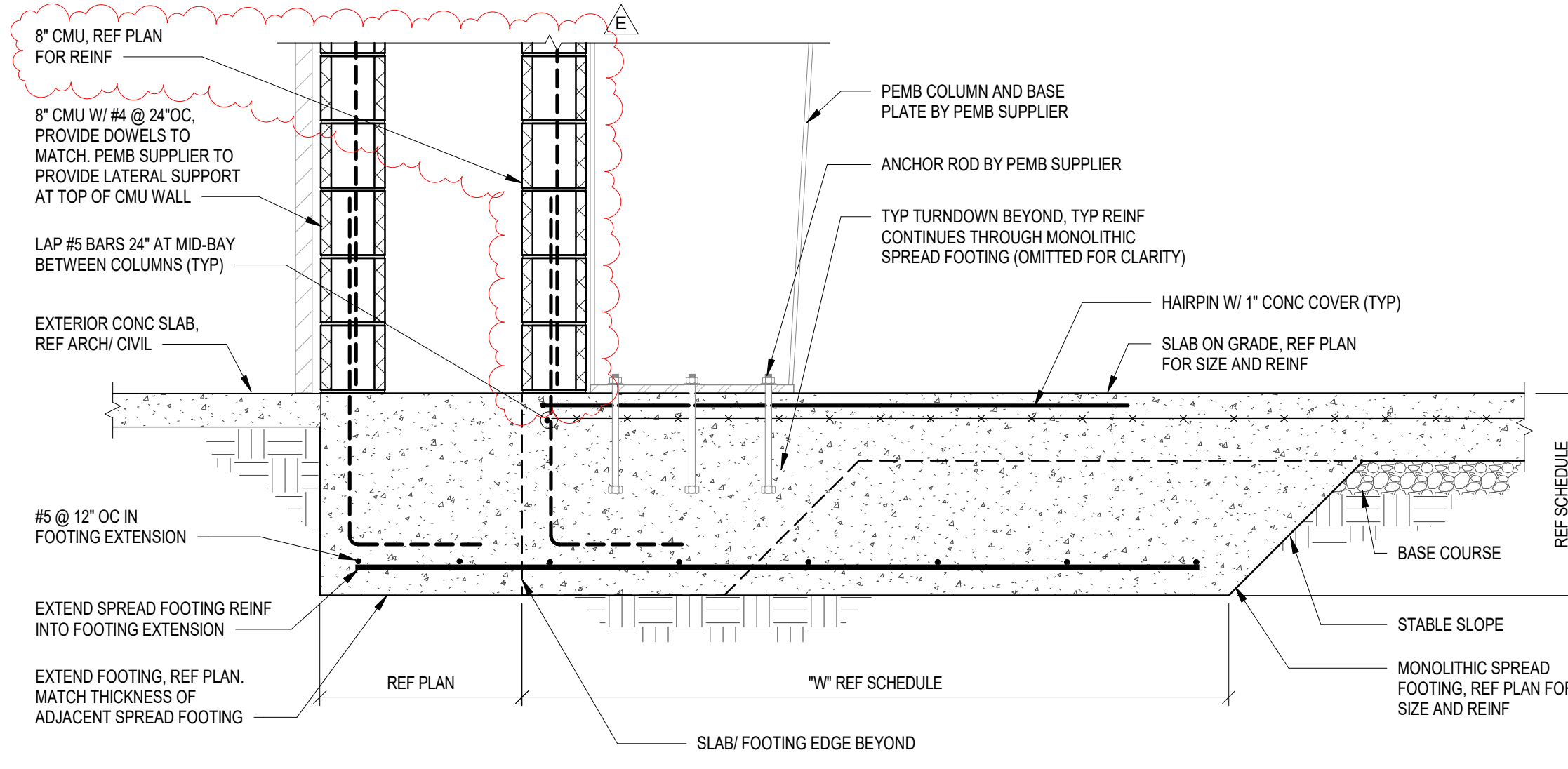
Project Number 23232
Drawn By AB
Checked By MGR/G
Date 17 APR 2026

Revisions
A 09 OCT 2024 30% SET
B 16 JAN 2026 60% SET
C 19 FEB 2026 90% SET
D 12 MAR 2026 PERMIT SET
E 20 APR 2026 ADDENDUM 2

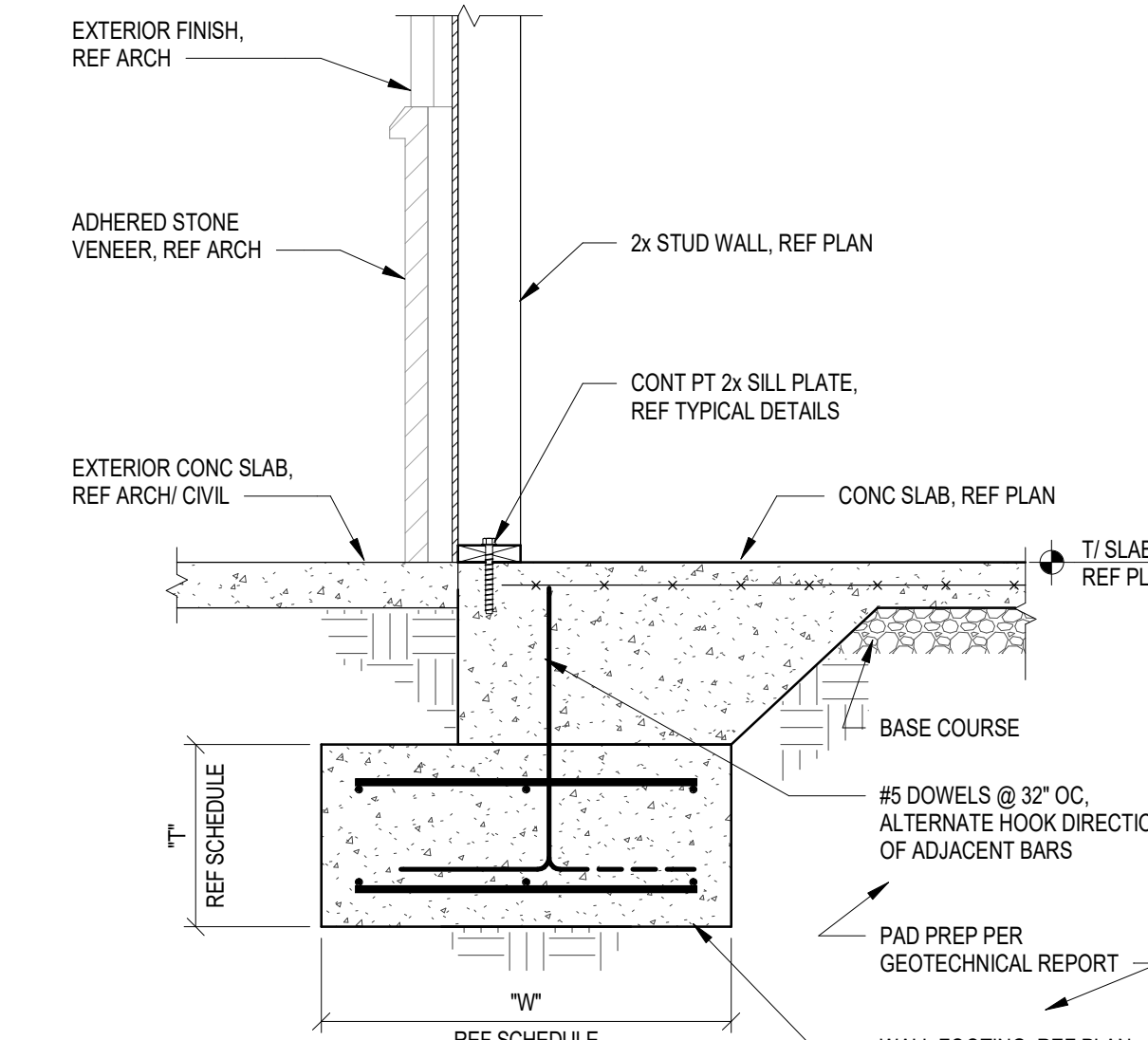
Drawing

TYPICAL
CONCRETE
DETAILS

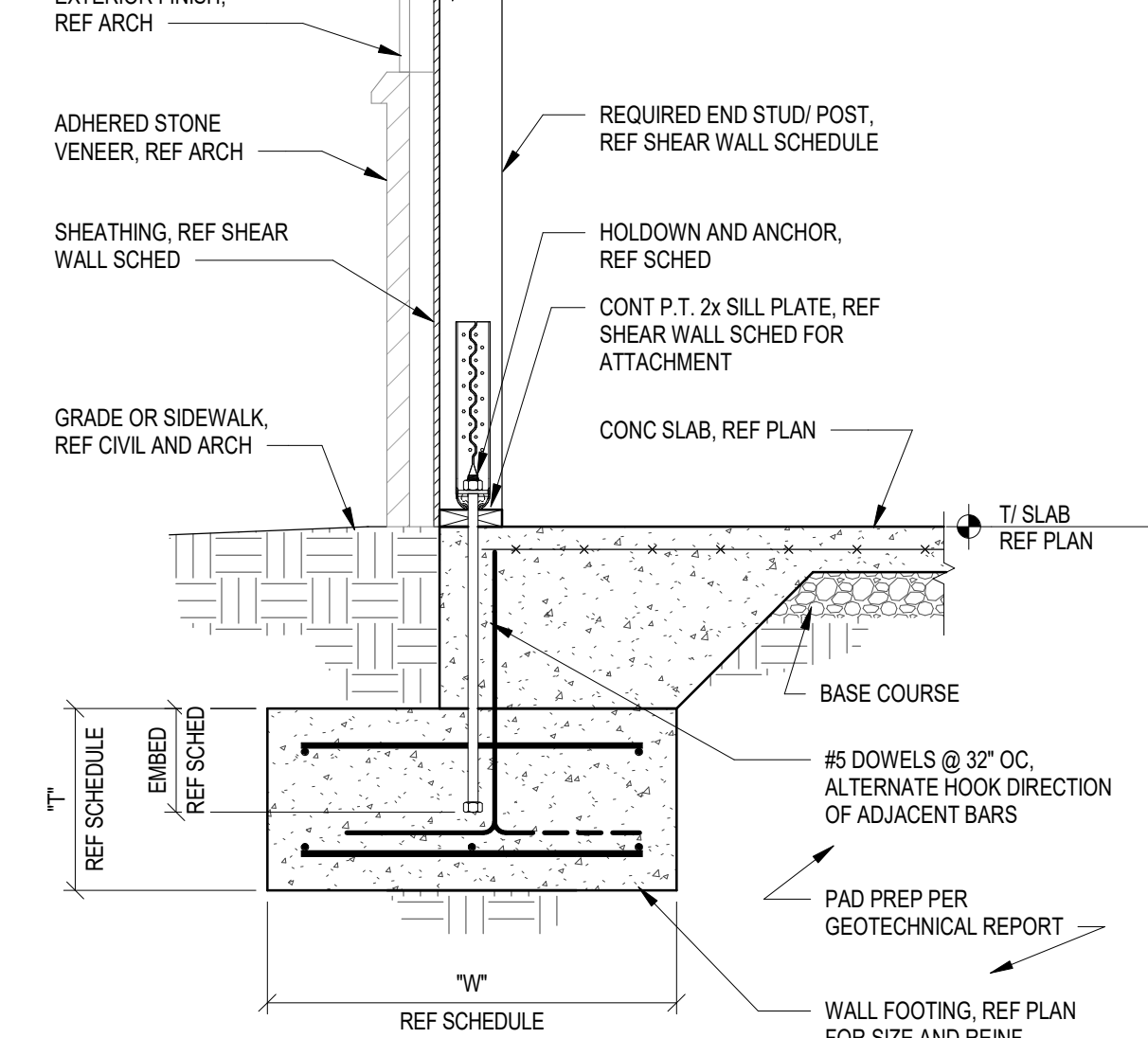
S5.01



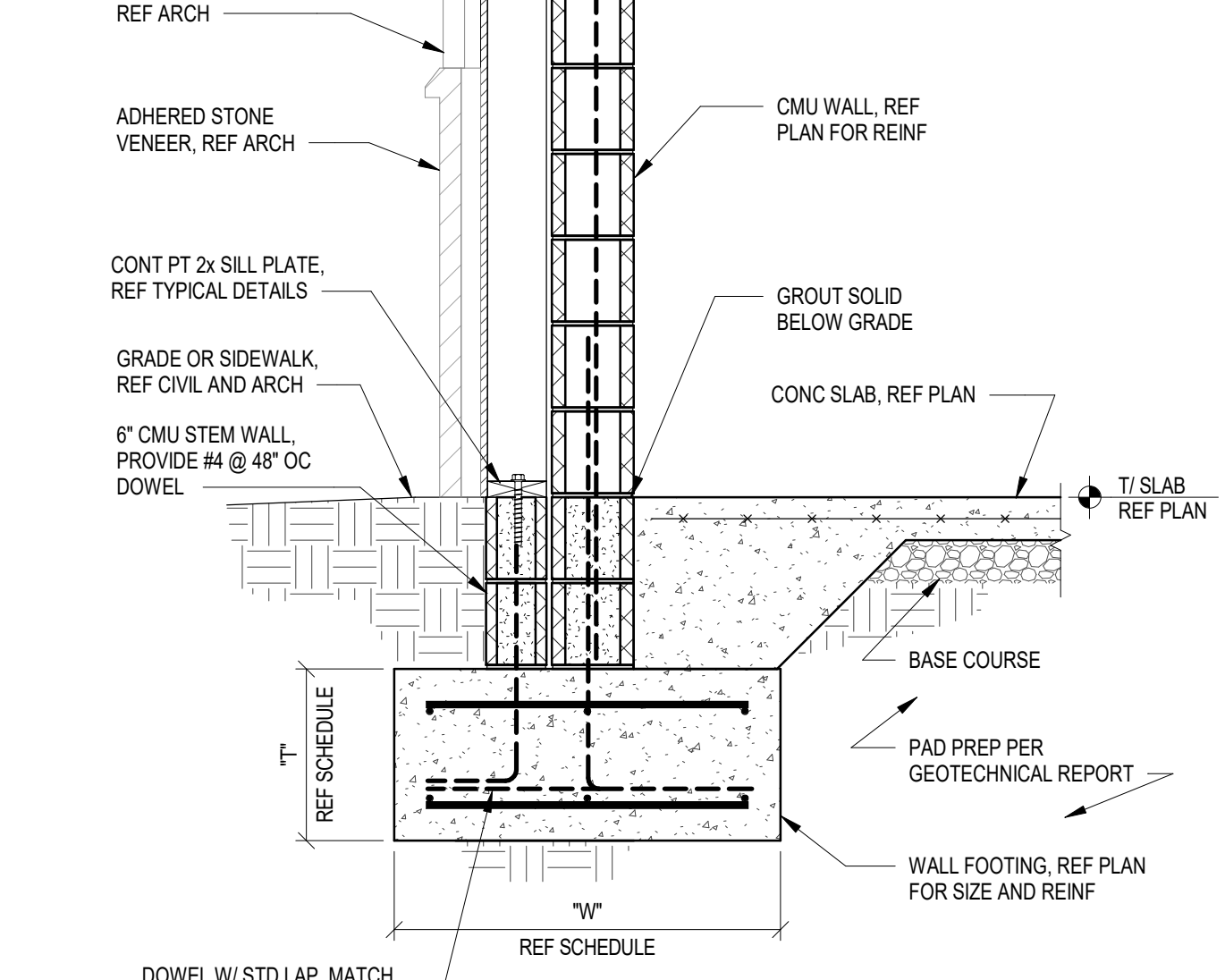
1 PRE-ENGINEERED METAL BUILDING FOOTING
3/4" = 1'-0"



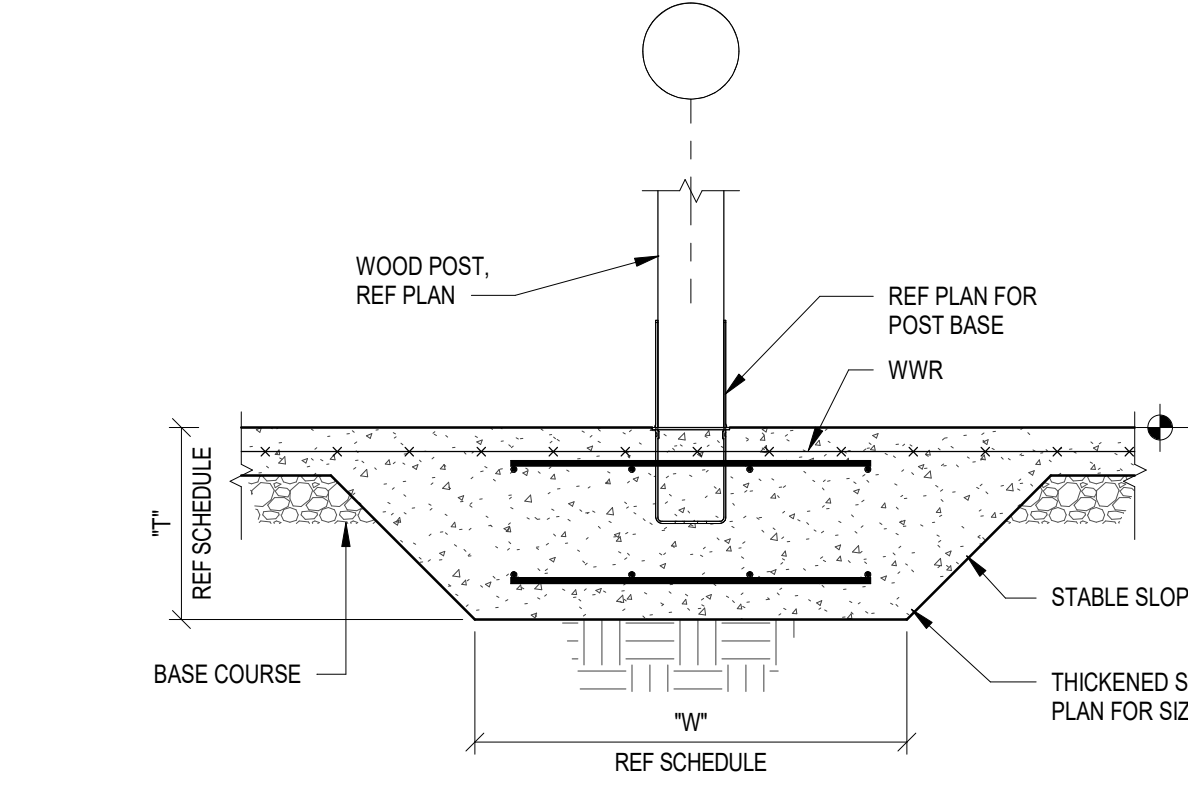
2 SECTION
3/4" = 1'-0"



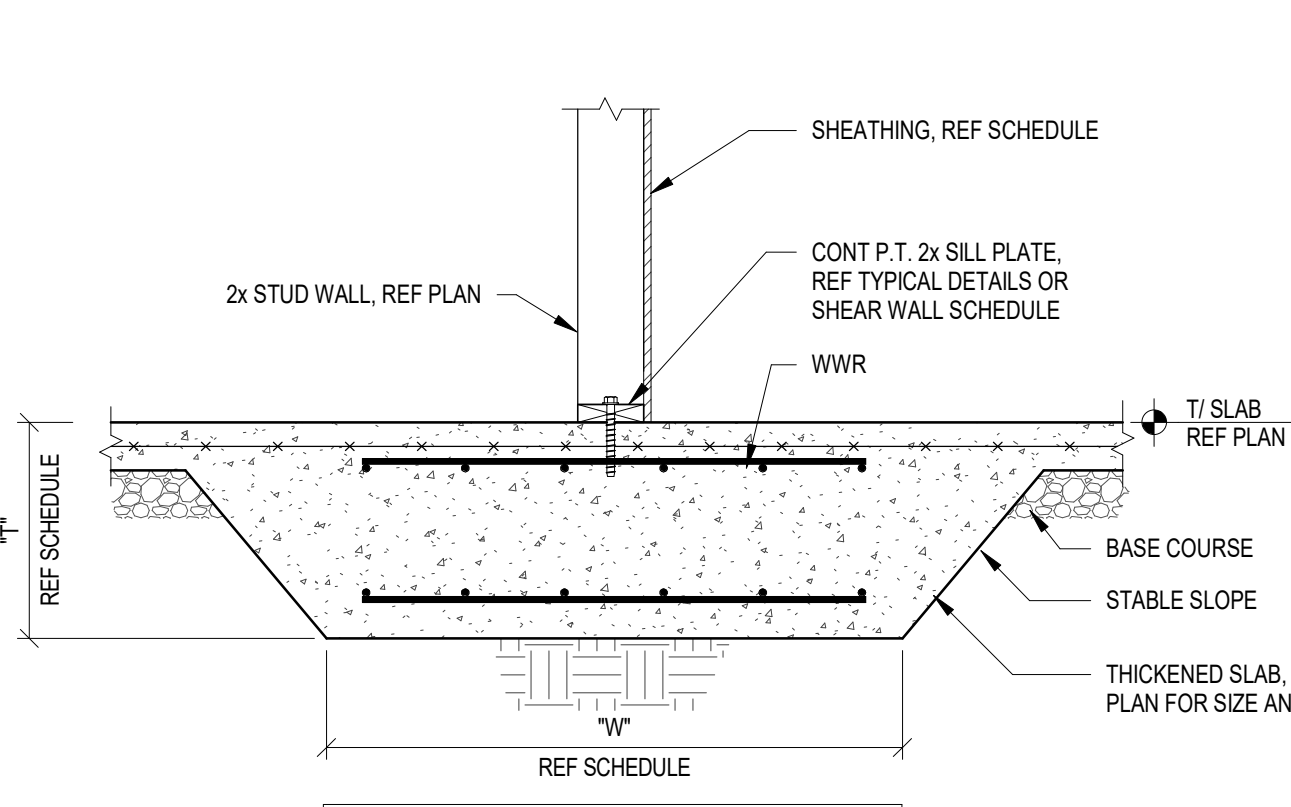
3 SECTION
3/4" = 1'-0"



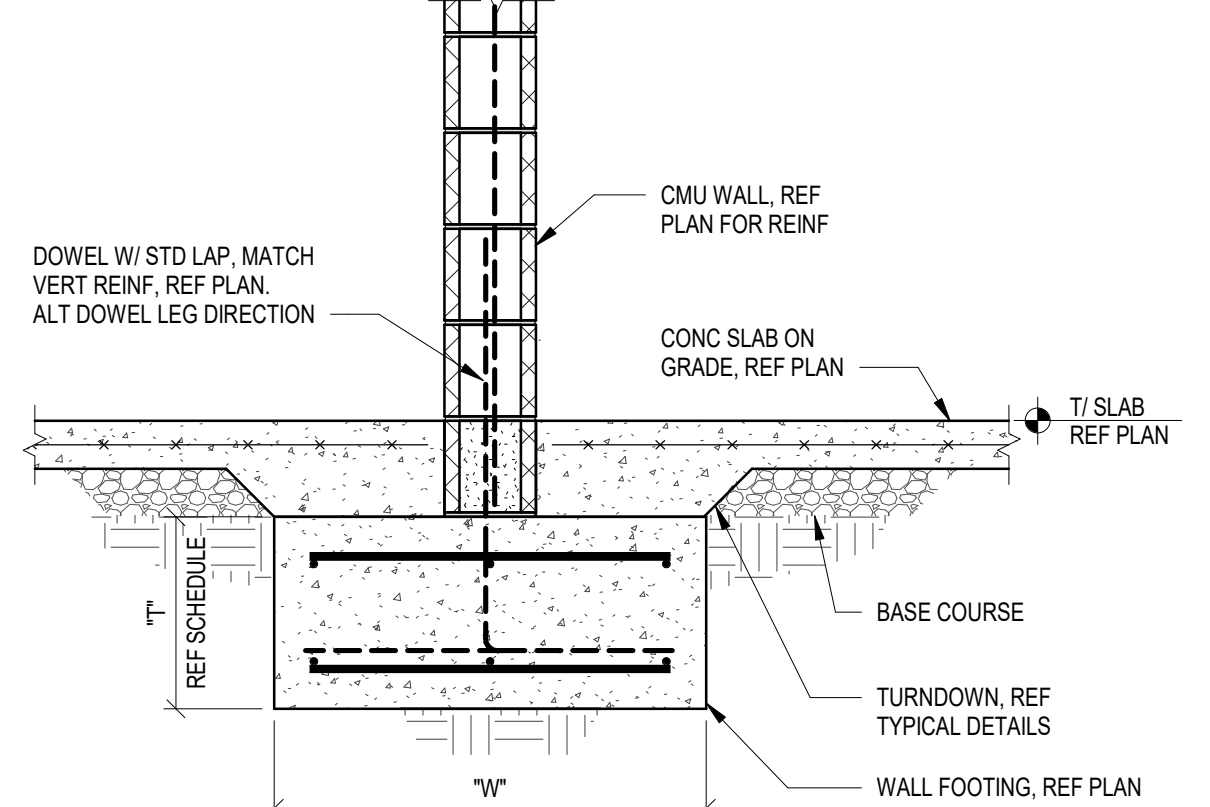
4 SECTION
3/4" = 1'-0"



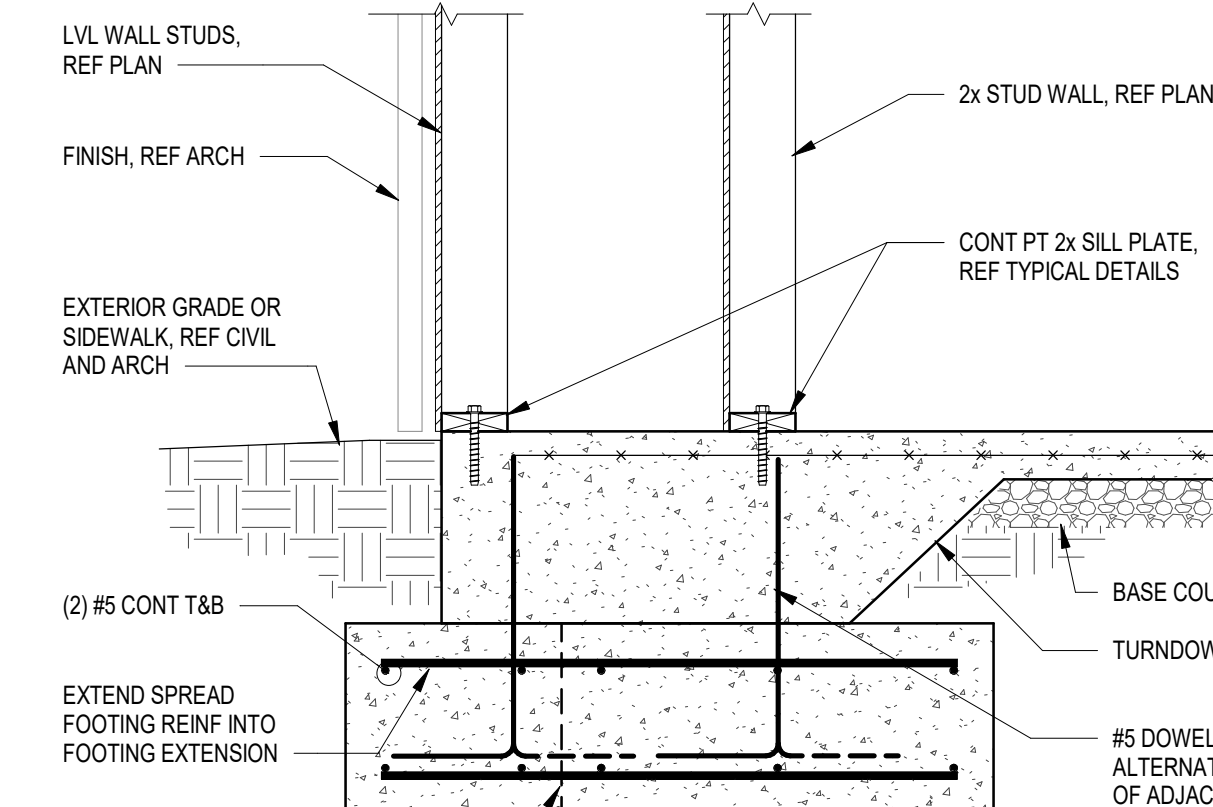
5 SECTION
3/4" = 1'-0"



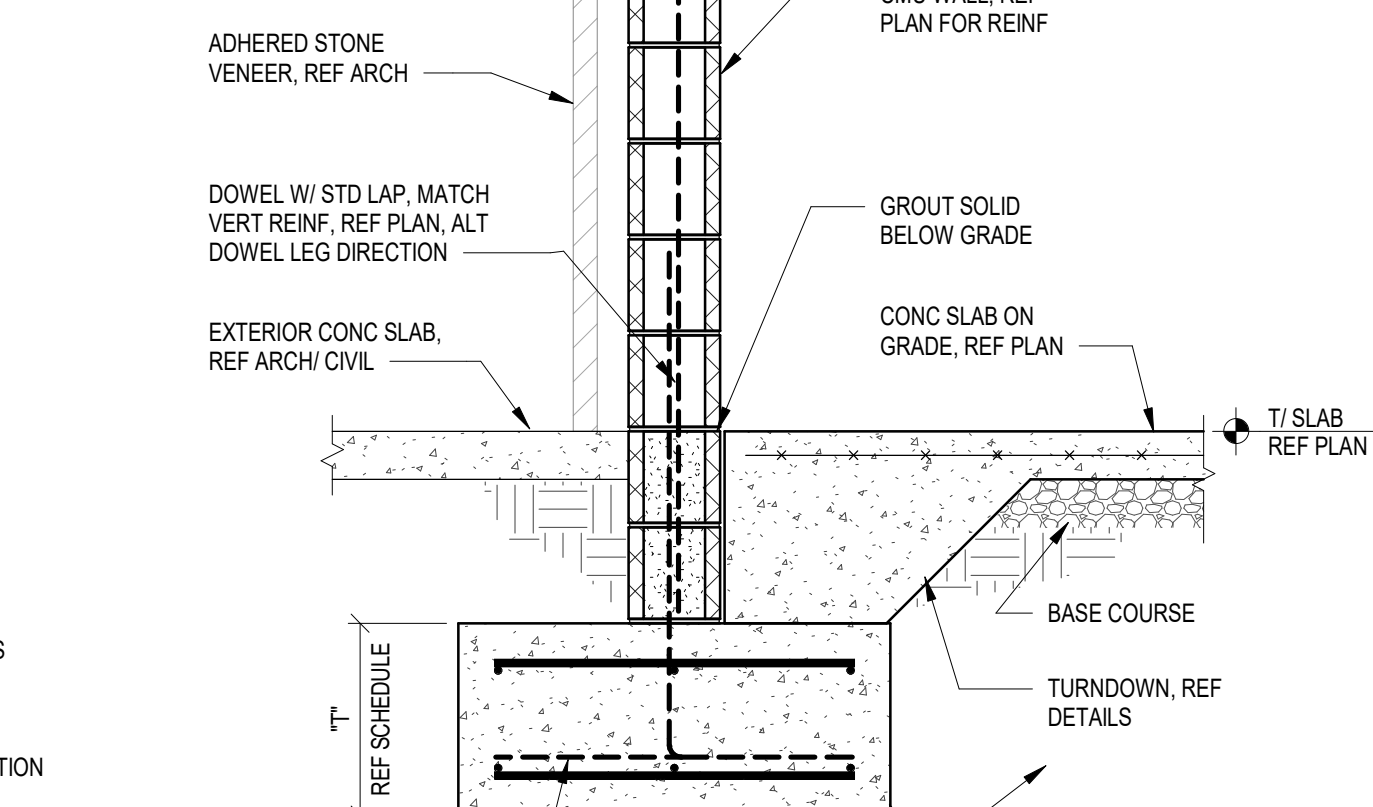
6 SECTION
3/4" = 1'-0"



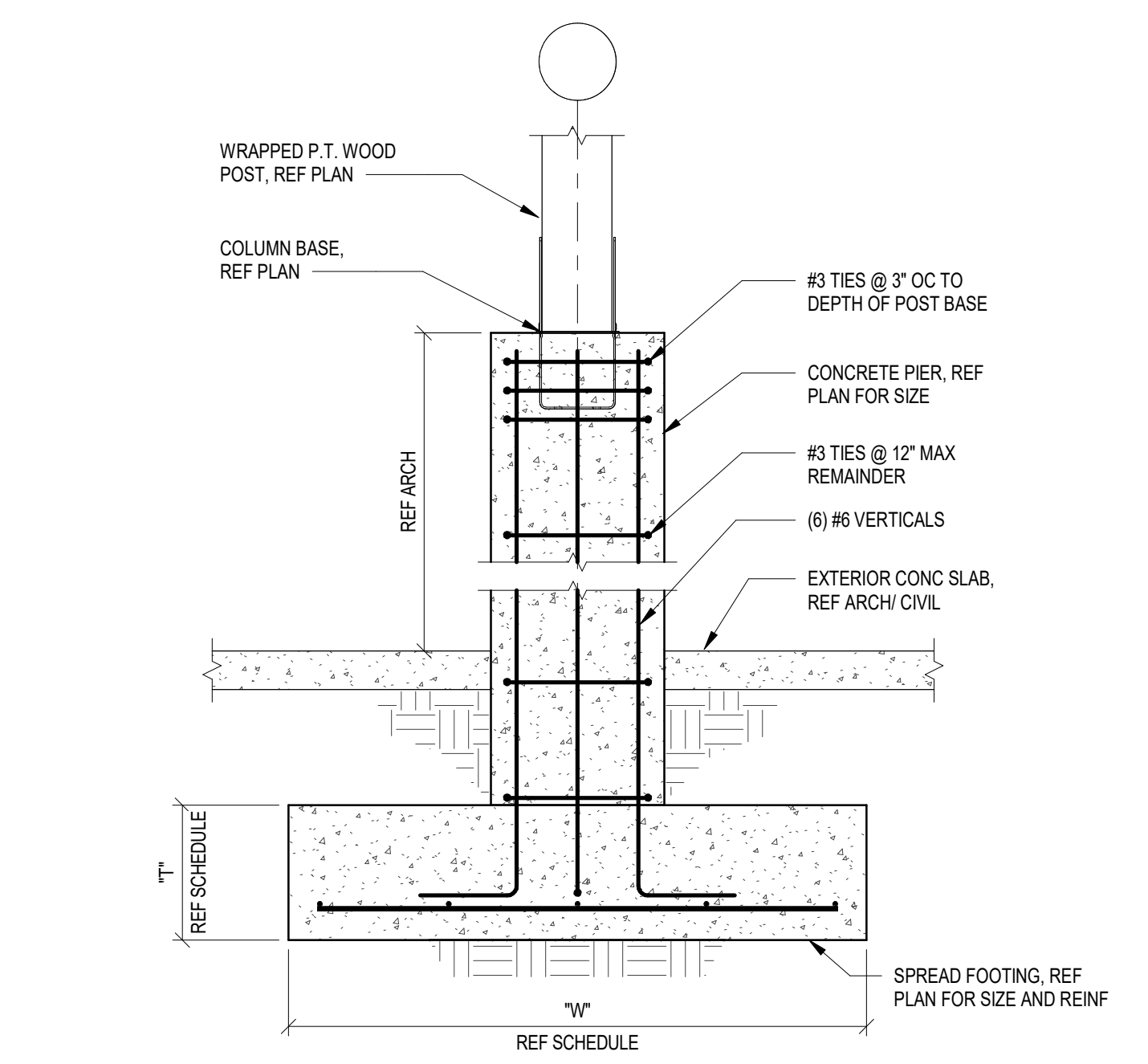
7 SECTION
3/4" = 1'-0"



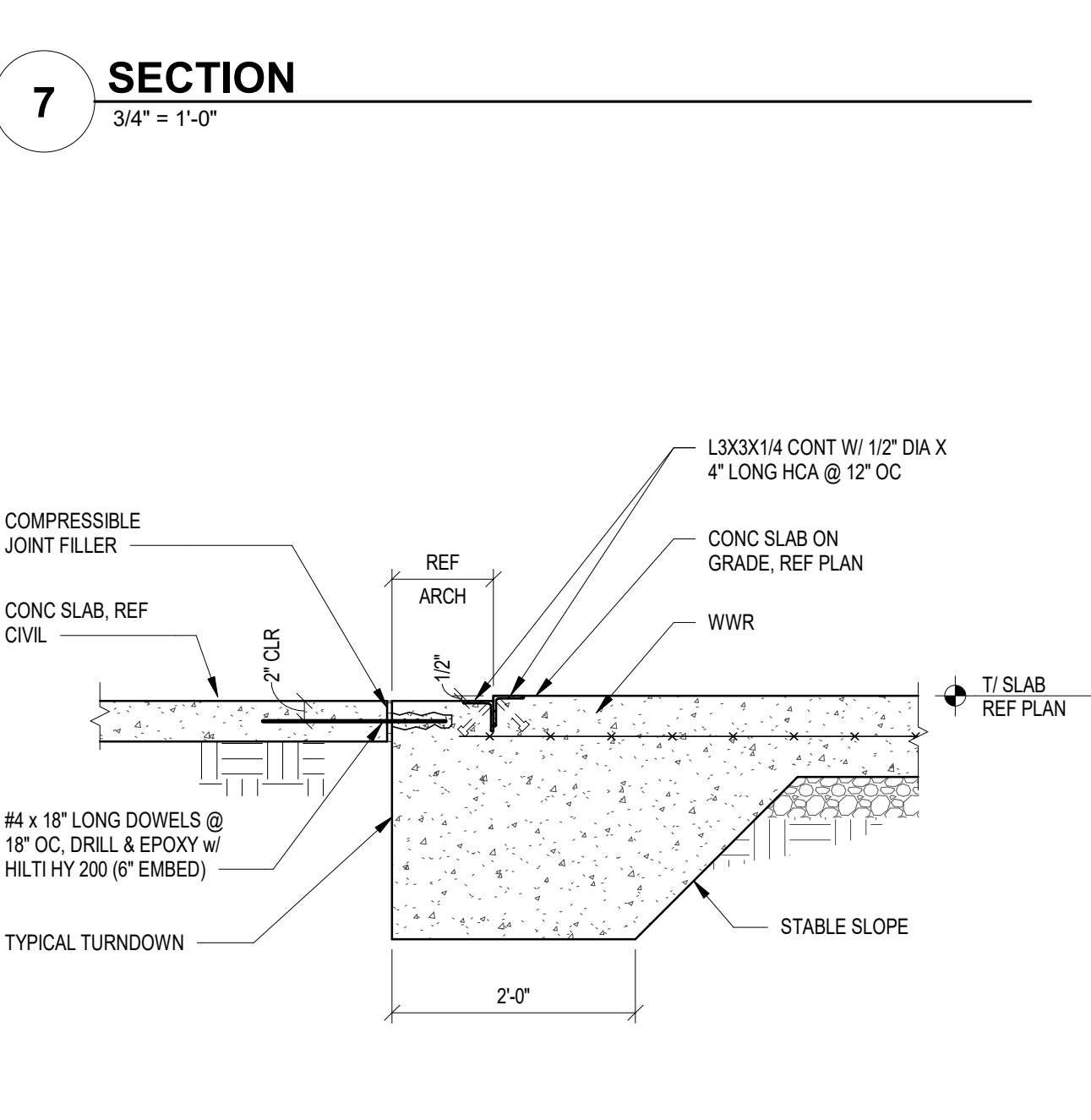
8 SECTION
3/4" = 1'-0"



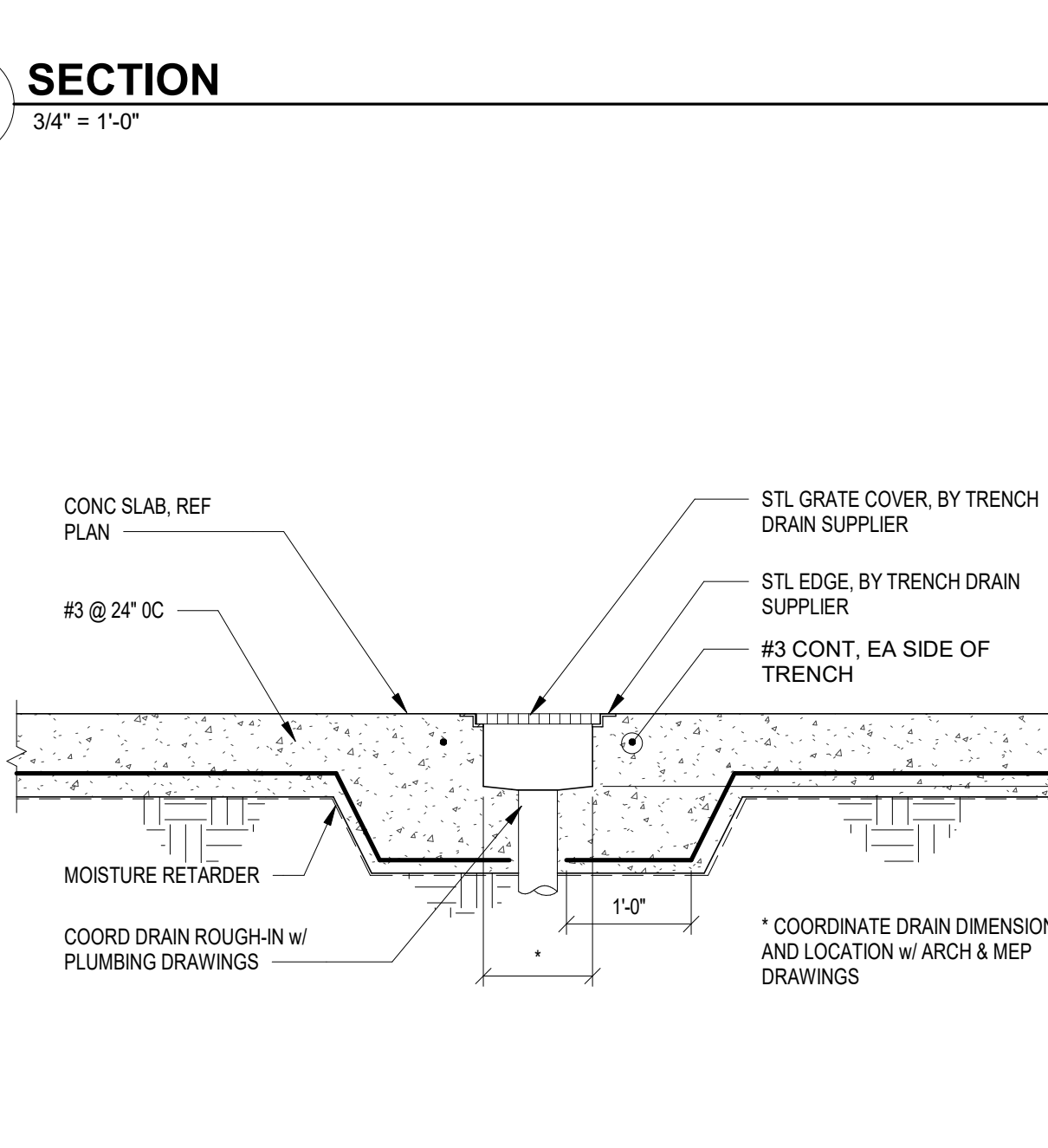
9 SECTION
3/4" = 1'-0"



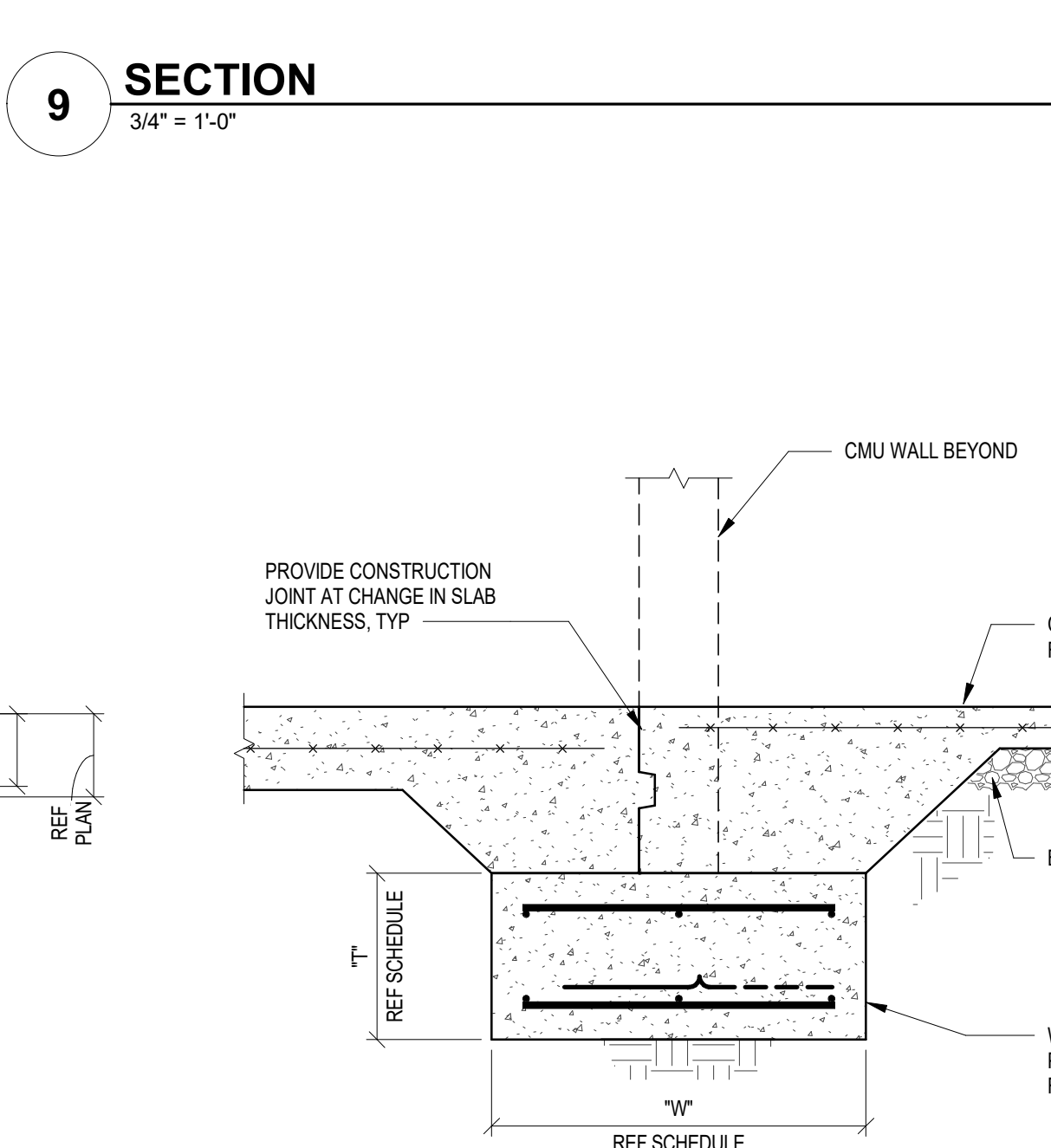
10 SECTION
3/4" = 1'-0"



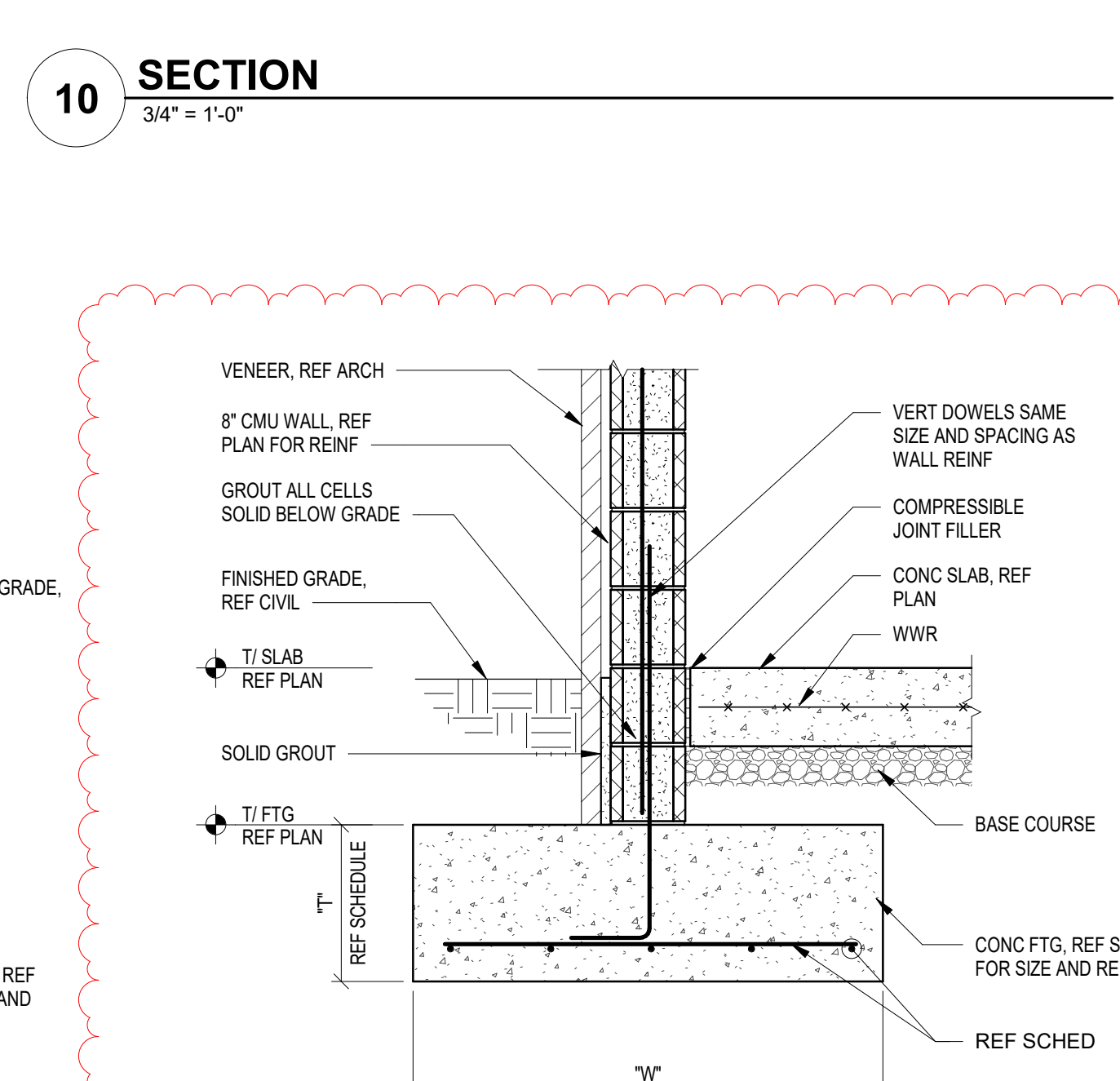
11 SECTION
3/4" = 1'-0"



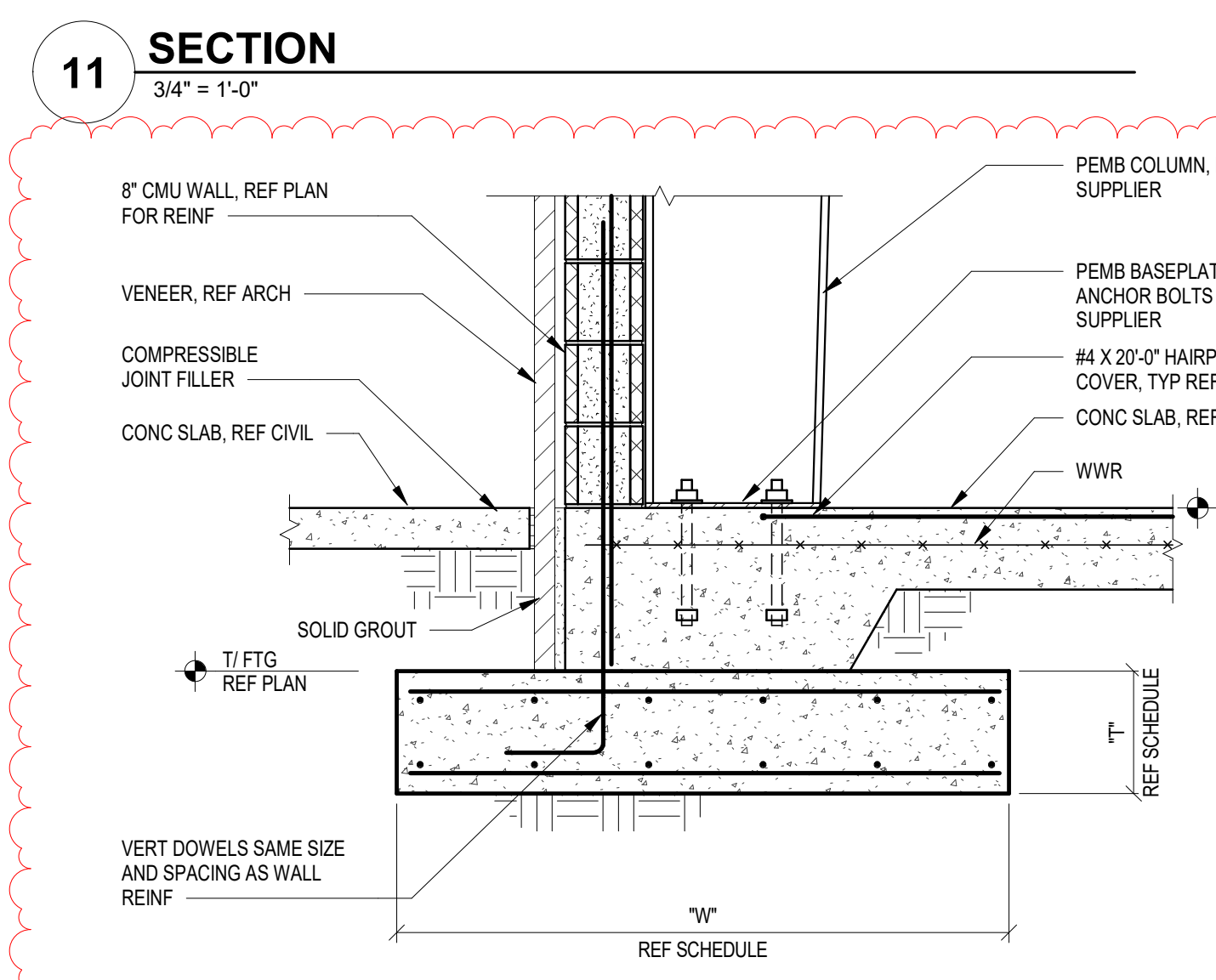
12 SECTION
3/4" = 1'-0"



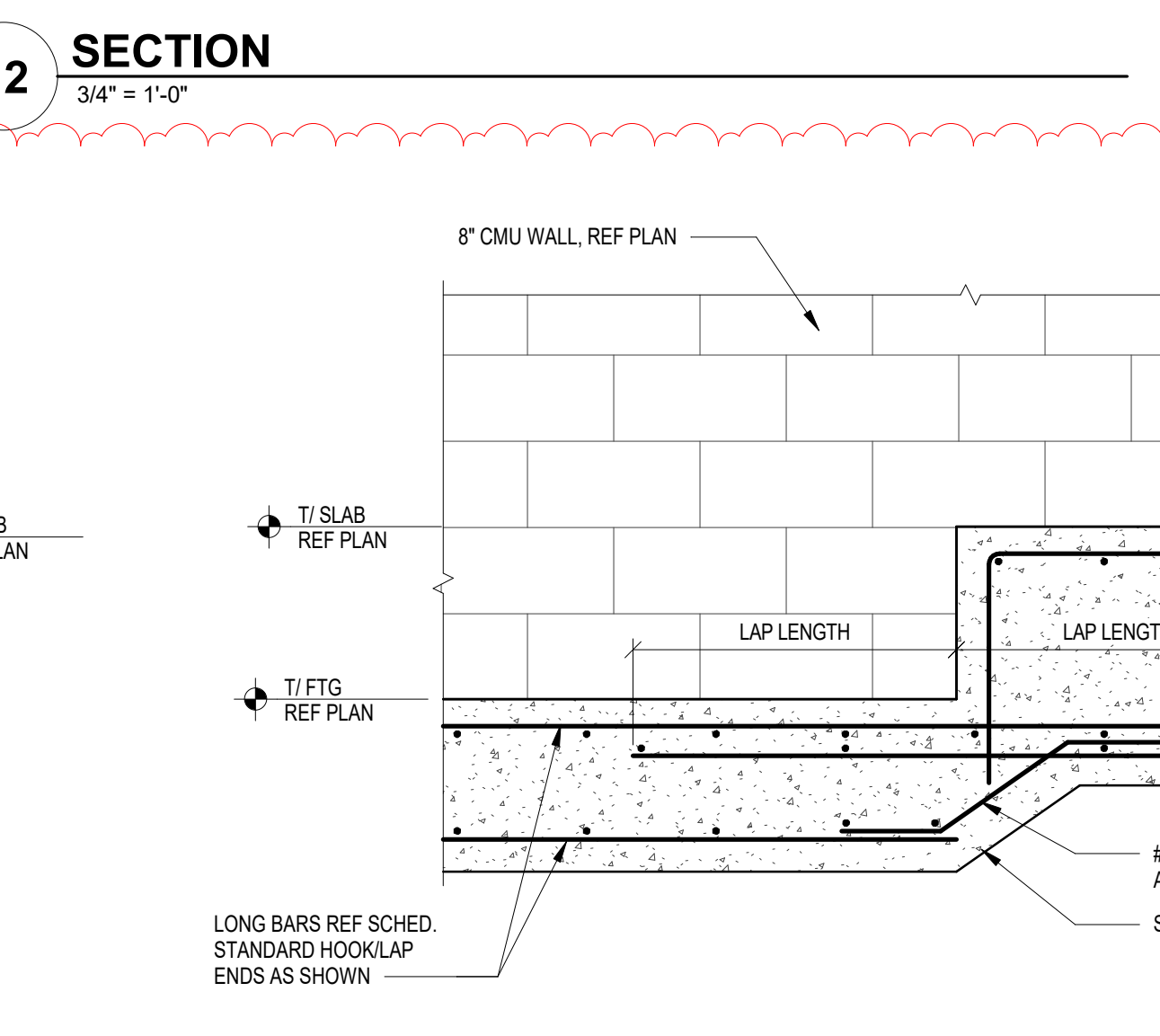
13 SECTION
3/4" = 1'-0"



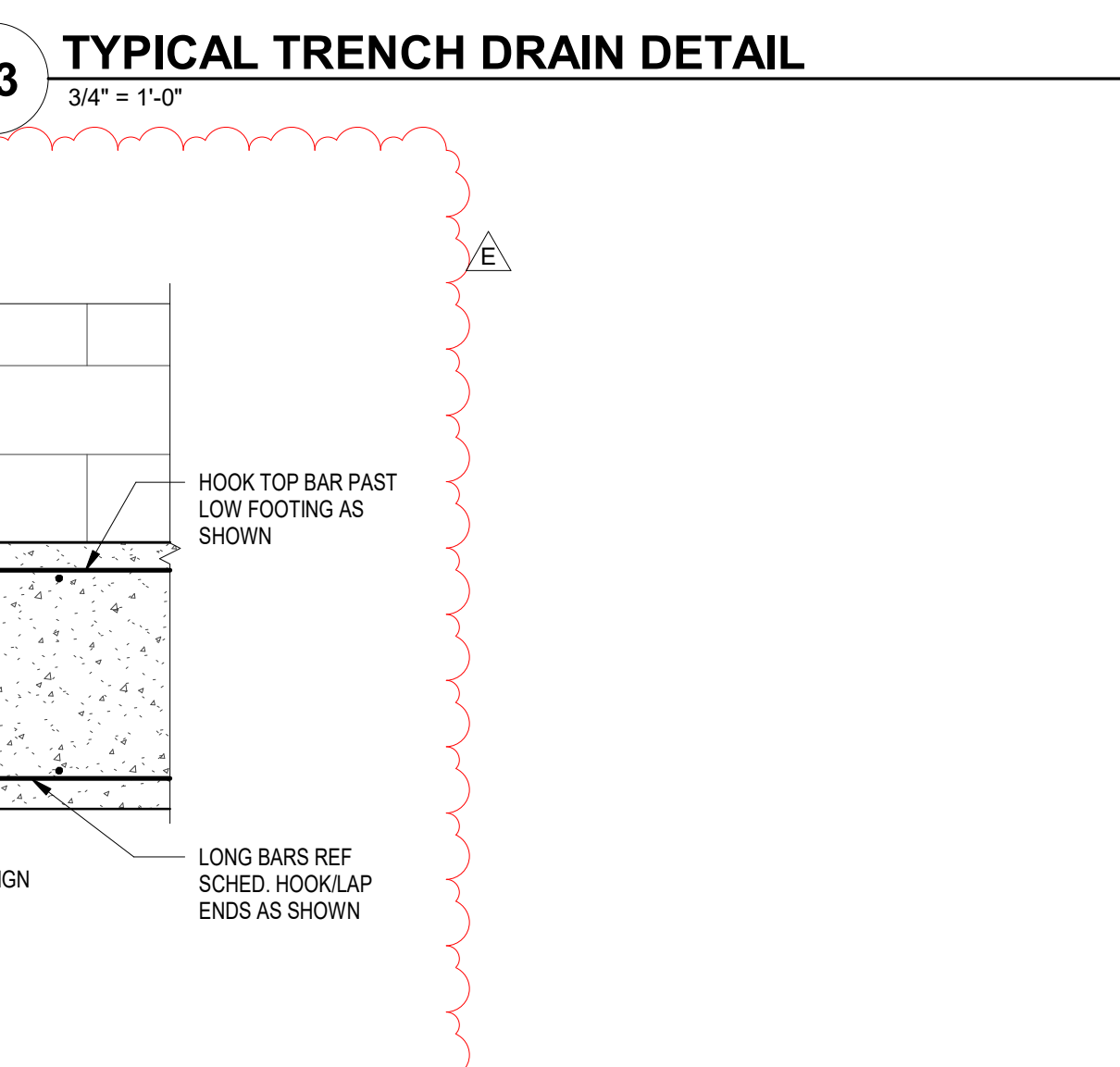
14 SECTION
3/4" = 1'-0"



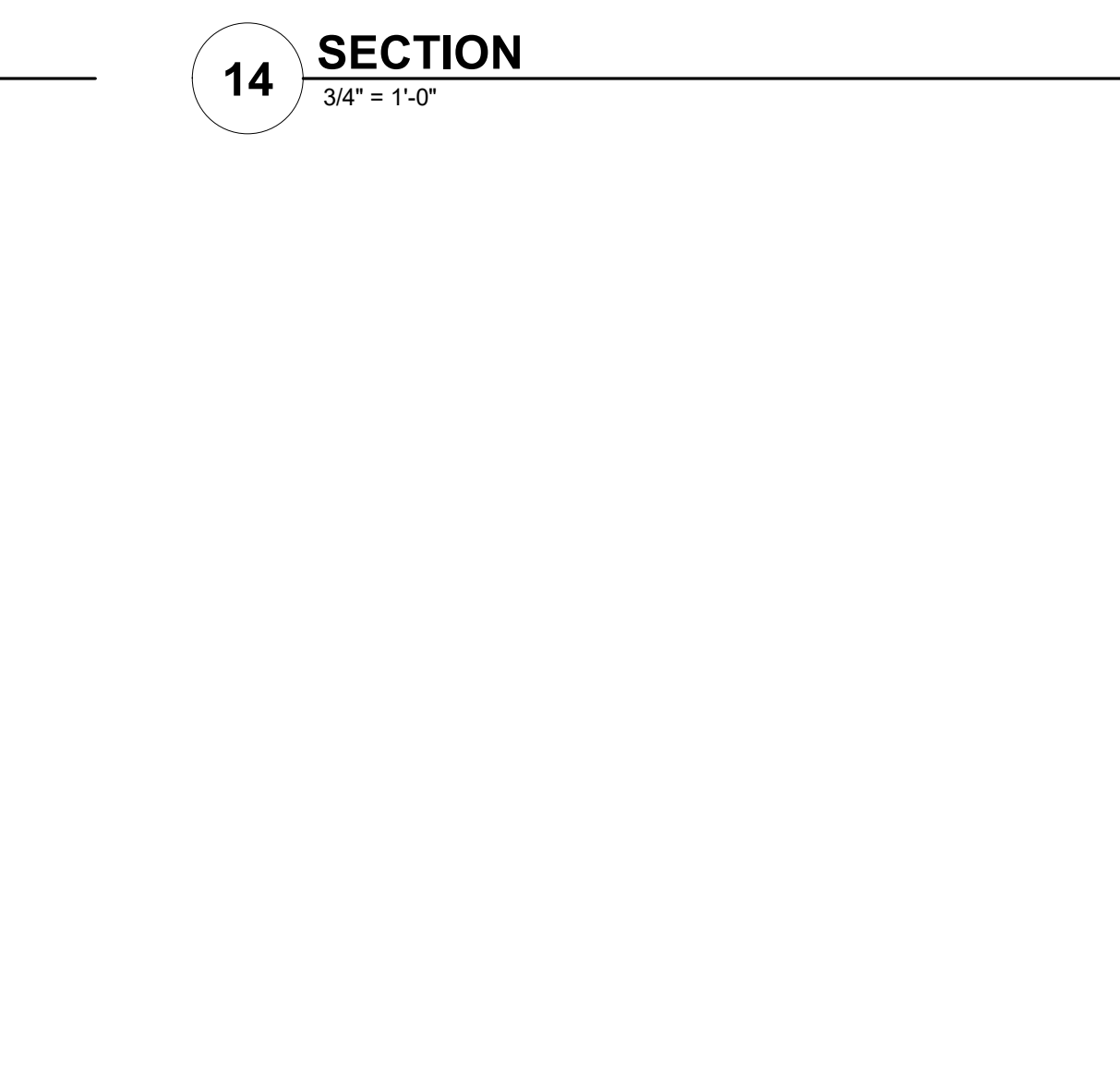
15 SECTION
3/4" = 1'-0"



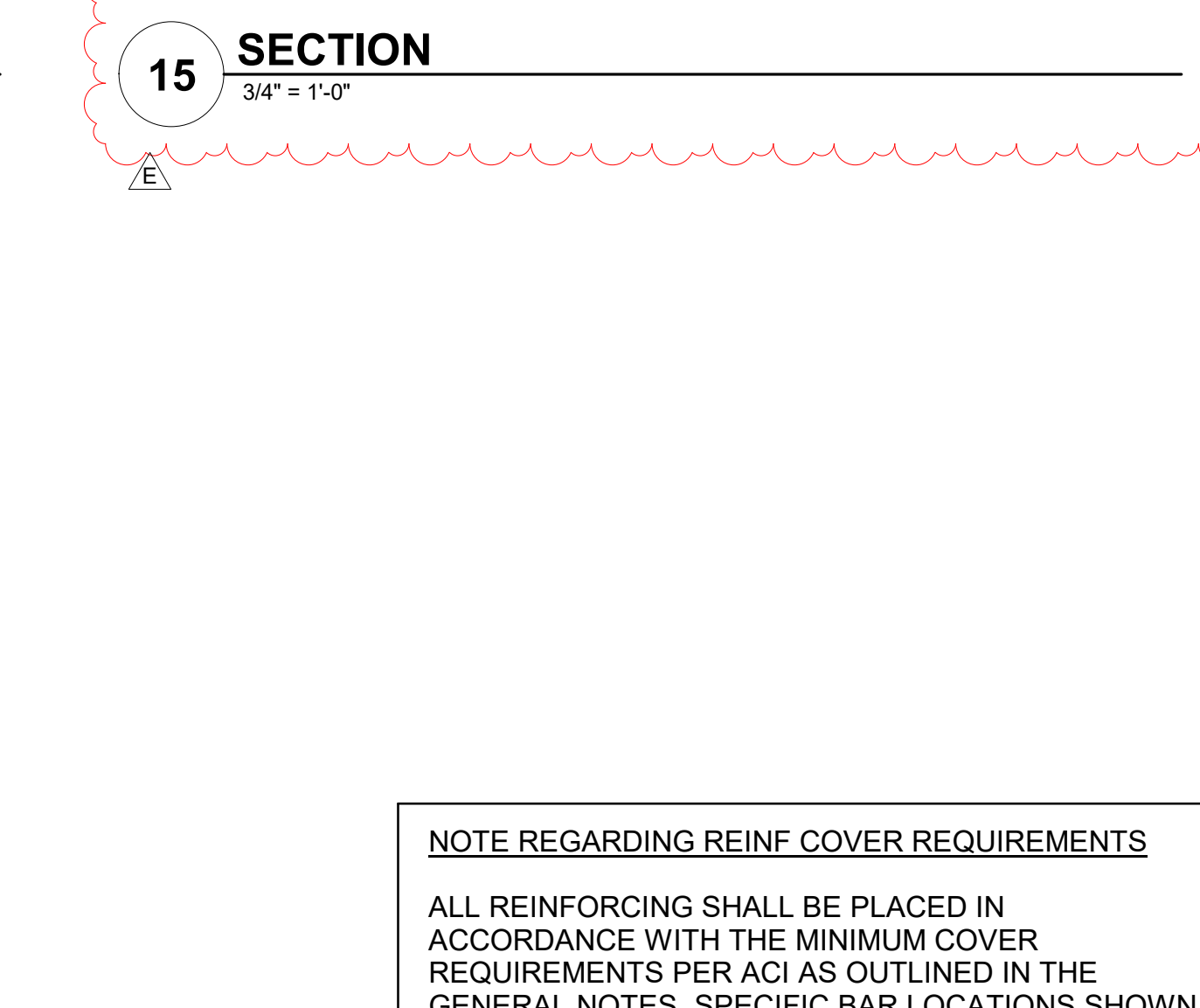
16 SECTION
3/4" = 1'-0"



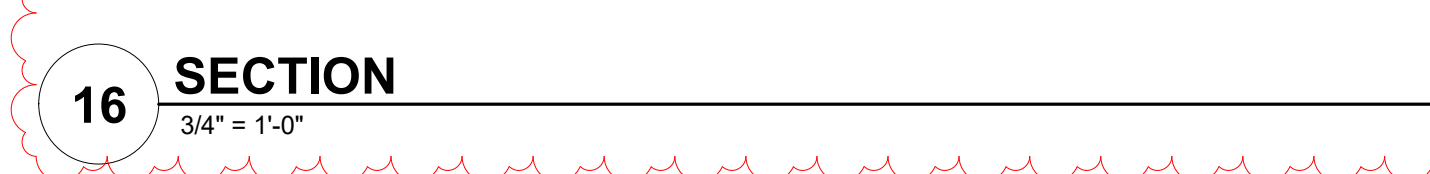
17 SECTION
3/4" = 1'-0"



18 SECTION
3/4" = 1'-0"



19 SECTION
3/4" = 1'-0"



20 SECTION
3/4" = 1'-0"



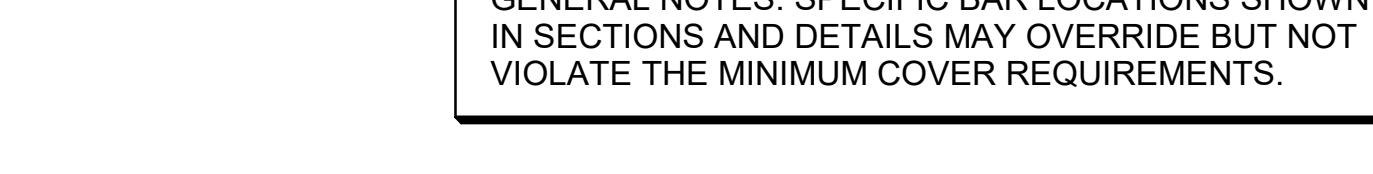
21 SECTION
3/4" = 1'-0"



22 SECTION
3/4" = 1'-0"



23 SECTION
3/4" = 1'-0"



24 SECTION
3/4" = 1'-0"



25 SECTION
3/4" = 1'-0"



26 SECTION
3/4" = 1'-0"



27 SECTION
3/4" = 1'-0"



28 SECTION
3/4" = 1'-0"



29 SECTION
3/4" = 1'-0"

30 SECTION
3/4" = 1'-0"

31 SECTION
3/4" = 1'-0"

32 SECTION
3/4" = 1'-0"

33 SECTION
3/4" = 1'-0"

34 SECTION
3/4" = 1'-0"

35 SECTION
3/4" = 1'-0"

36 SECTION
3/4" = 1'-0"

37 SECTION
3/4" = 1'-0"

38 SECTION
3/4" = 1'-0"

39 SECTION
3/4" = 1'-0"

40 SECTION
3/4" = 1'-0"

41 SECTION
3/4" = 1'-0"

42 SECTION
3/4" = 1'-0"

43 SECTION
3/4" = 1'-0"

44 SECTION
3/4" = 1'-0"

45 SECTION
3/4" = 1'-0"

46 SECTION
3/4" = 1'-0"

47 SECTION
3/4" = 1'-0"

48 SECTION
3/4" = 1'-0"

49 SECTION
3/4" = 1'-0"

50 SECTION
3/4" = 1'-0"

51 SECTION
3/4" = 1'-0"

52 SECTION
3/4" = 1'-0"

53 SECTION
3/4" = 1'-0"

54 SECTION
3/4" = 1'-0"

55 SECTION
3/4" = 1'-0"

56 SECTION
3/4" = 1'-0"

57 SECTION
3/4" = 1'-0"

58 SECTION
3/4" = 1'-0"

59 SECTION
3/4" = 1'-0"

60 SECTION
3/4" = 1'-0"

61 SECTION
3/4" = 1'-0"

62 SECTION
3/4" = 1'-0"

63 SECTION
3/4" = 1'-0"

64 SECTION
3/4" = 1'-0"

65 SECTION
3/4" = 1'-0"

66 SECTION
3/4" = 1'-0"

67 SECTION
3/4" = 1'-0"

68 SECTION
3/4" = 1'-0"

69 SECTION
3/4" = 1'-0"

70 SECTION
3/4" = 1'-0"

71 SECTION
3/4" = 1'-0"

72 SECTION
3/4" = 1'-0"

73 SECTION
3/4" = 1'-0"

74 SECTION
3/4" = 1'-0"

75 SECTION
3/4" = 1'-0"

76 SECTION
3/4" = 1'-0"

77 SECTION
3/4" = 1'-0"

78 SECTION
3/4" = 1'-0"

79 SECTION
3/4" = 1'-0"

80 SECTION
3/4" = 1'-0"

81 SECTION
3/4" = 1'-0"

82 SECTION
3/4" = 1'-0"

83 SECTION
3/4" = 1'-0"

84 SECTION
3/4" = 1'-0"

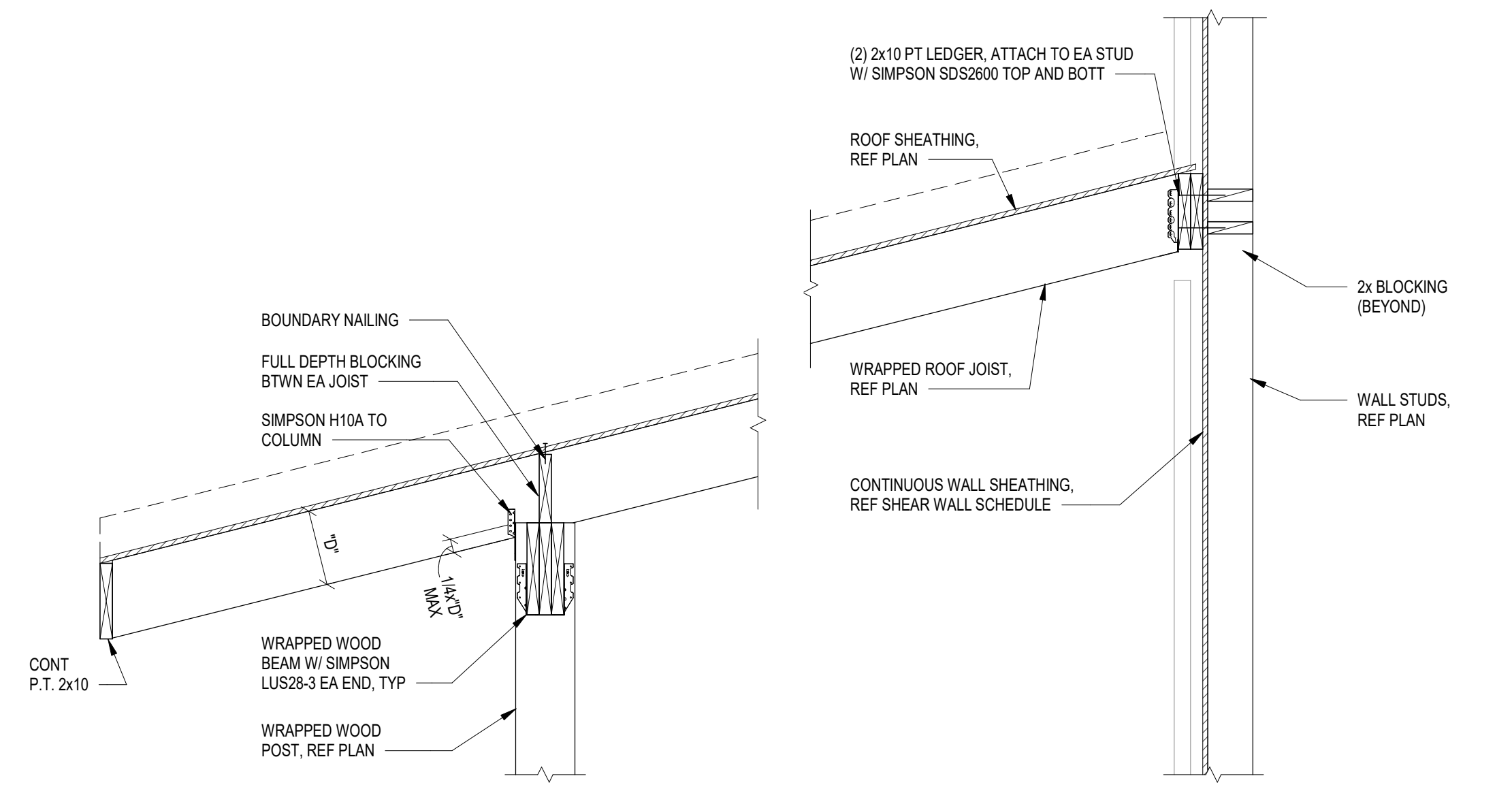
85 SECTION
3/4" = 1'-0"

86 SECTION
3/4" = 1'-0"

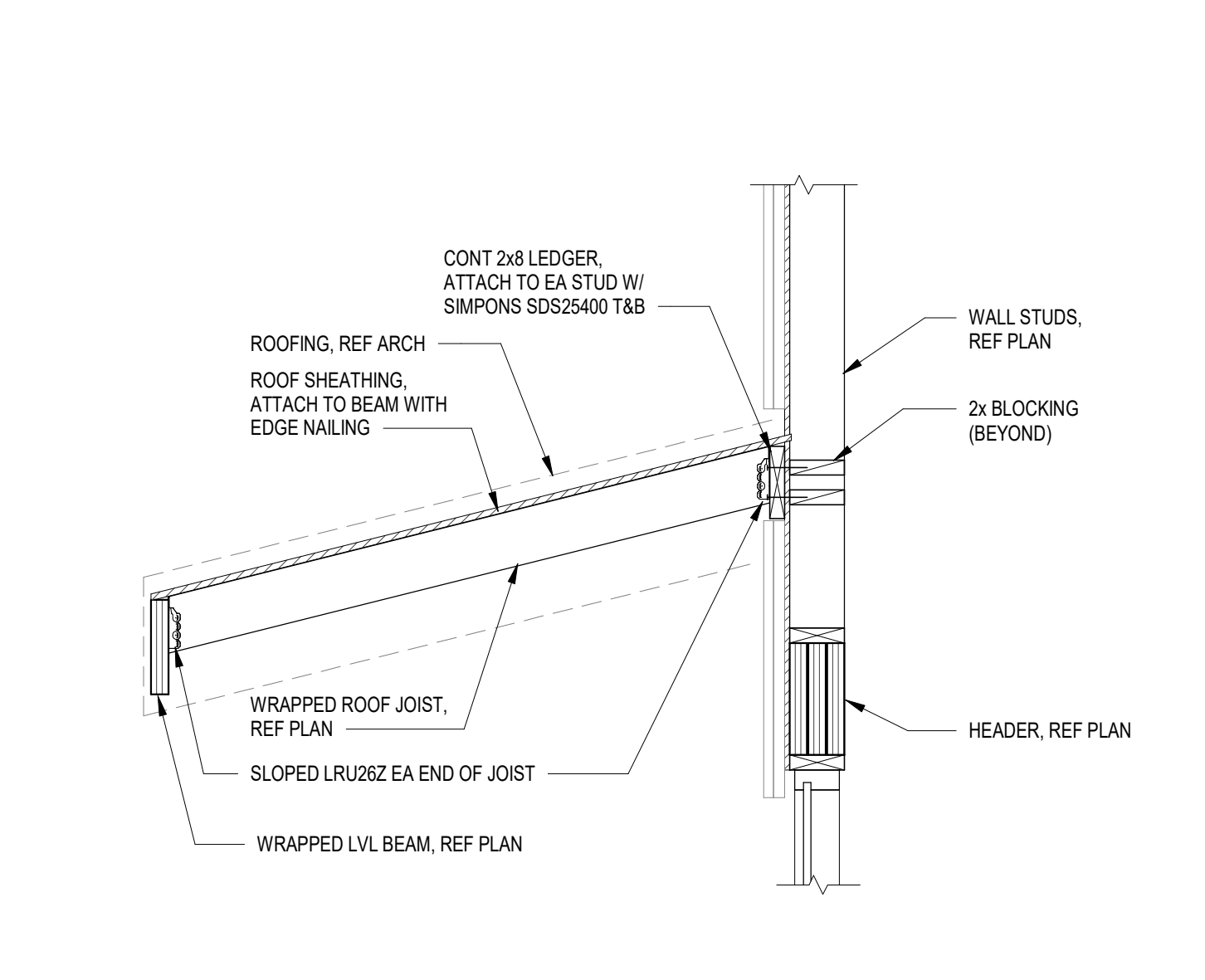


**BRITT, PETERS
AND
ASSOCIATES**
INC.
consulting engineers

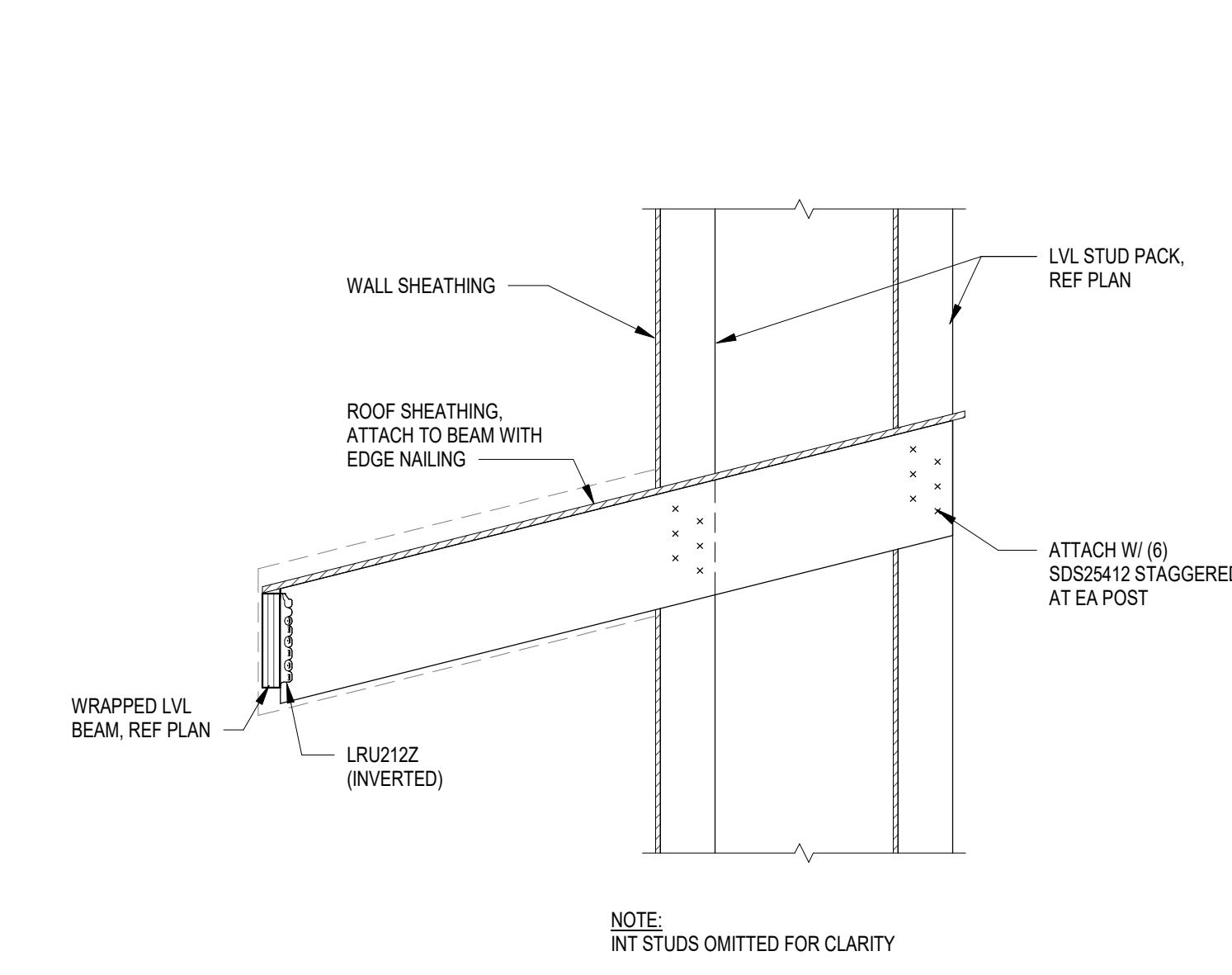
101 Falls Park Drive
Suite 601
Greenville, SC 29601
(864) 271-8869
www.brittpeters.com
BPA Project #: 240369



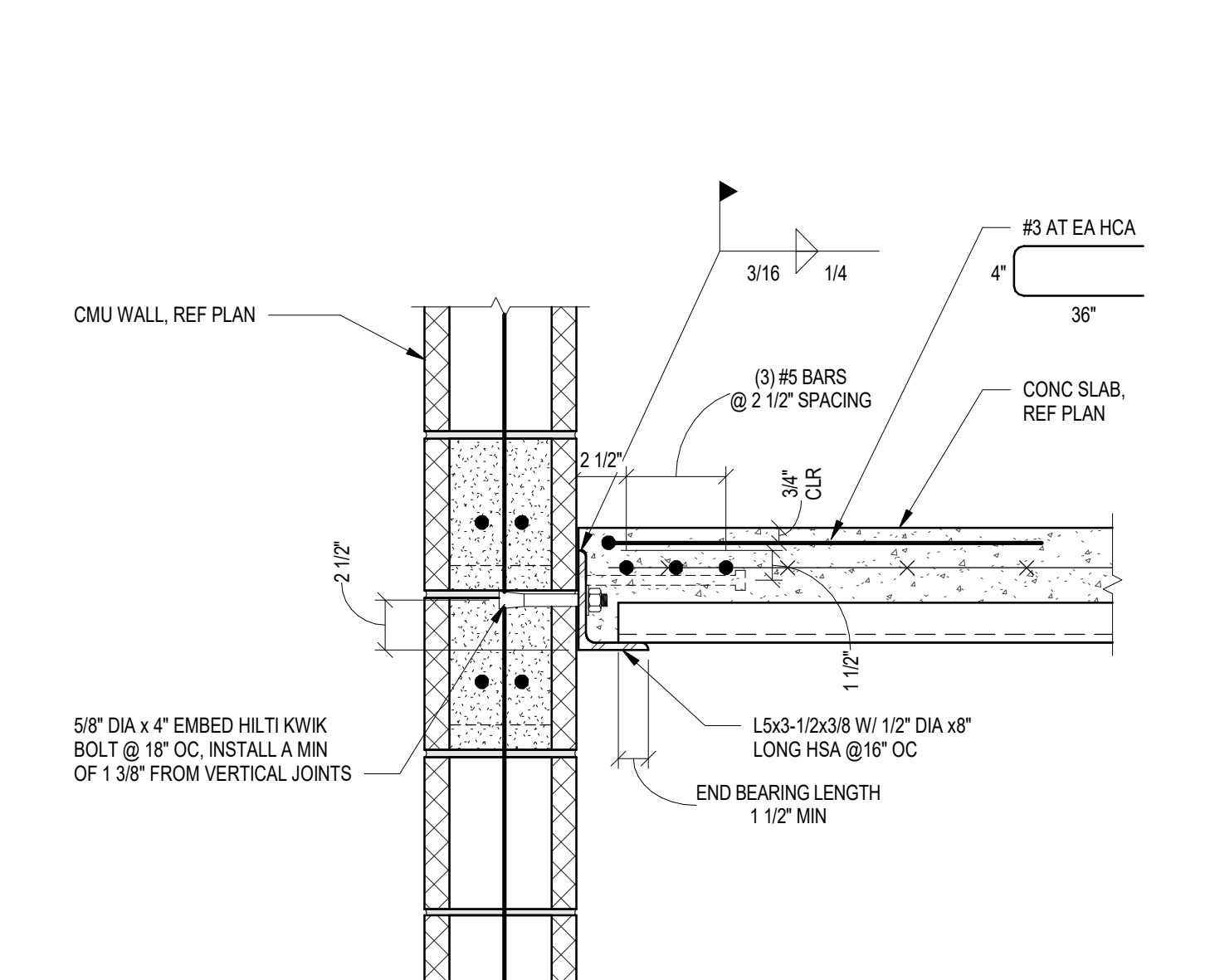
1 SECTION
3/4" = 1'-0"



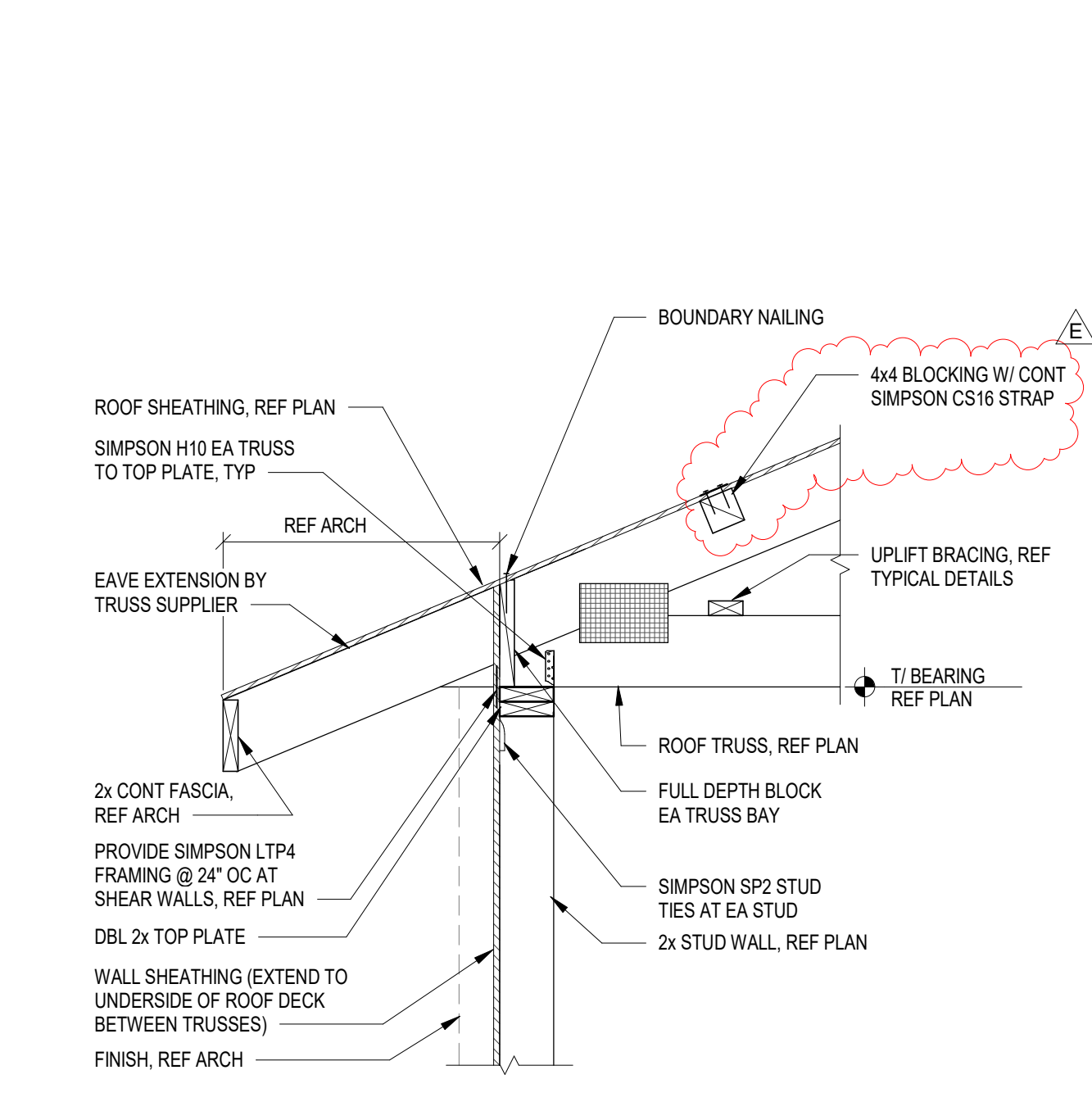
3 SECTION
3/4" = 1'-0"



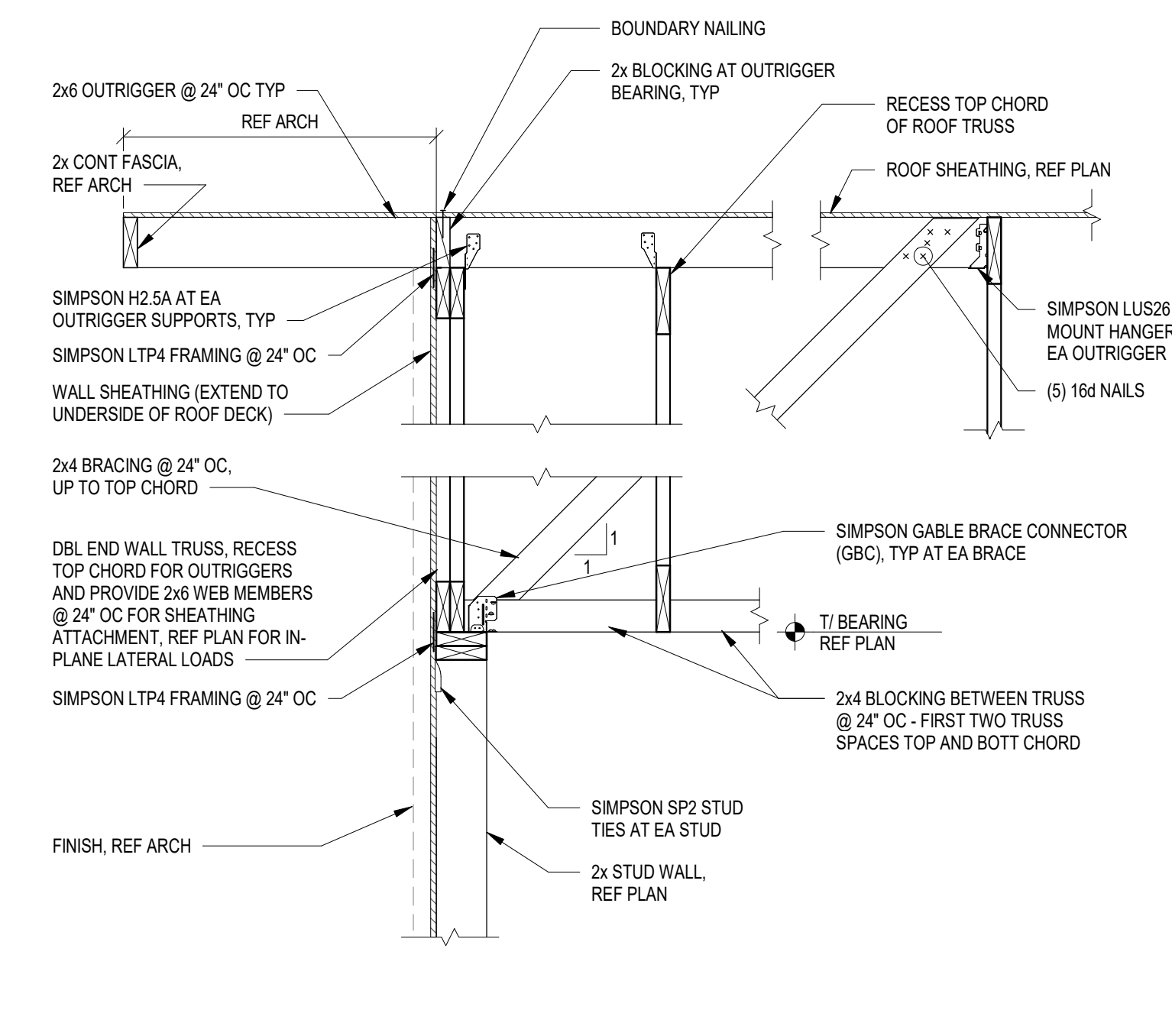
4 SECTION
3/4" = 1'-0"



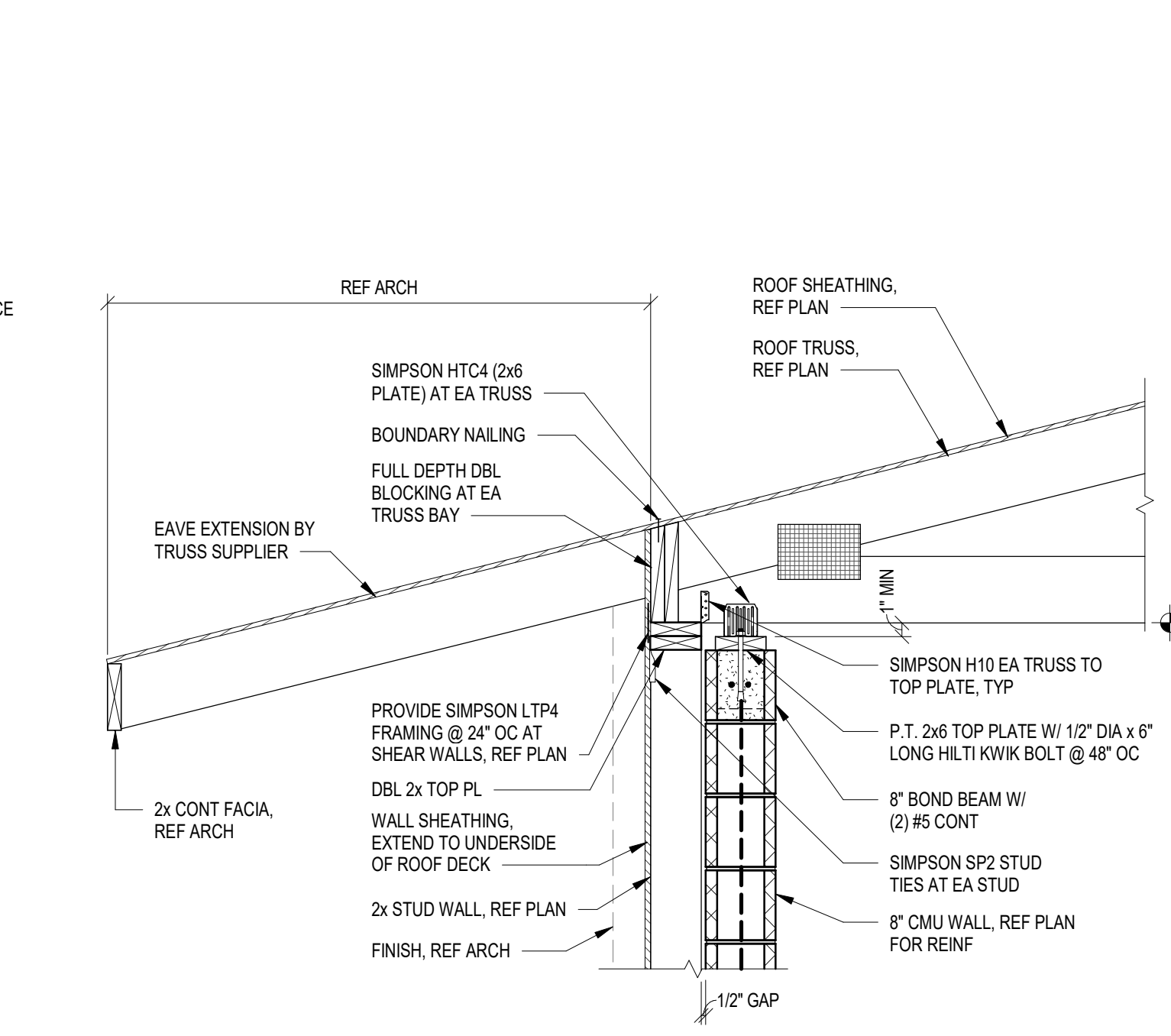
5 SECTION
1 1/2" = 1'-0"



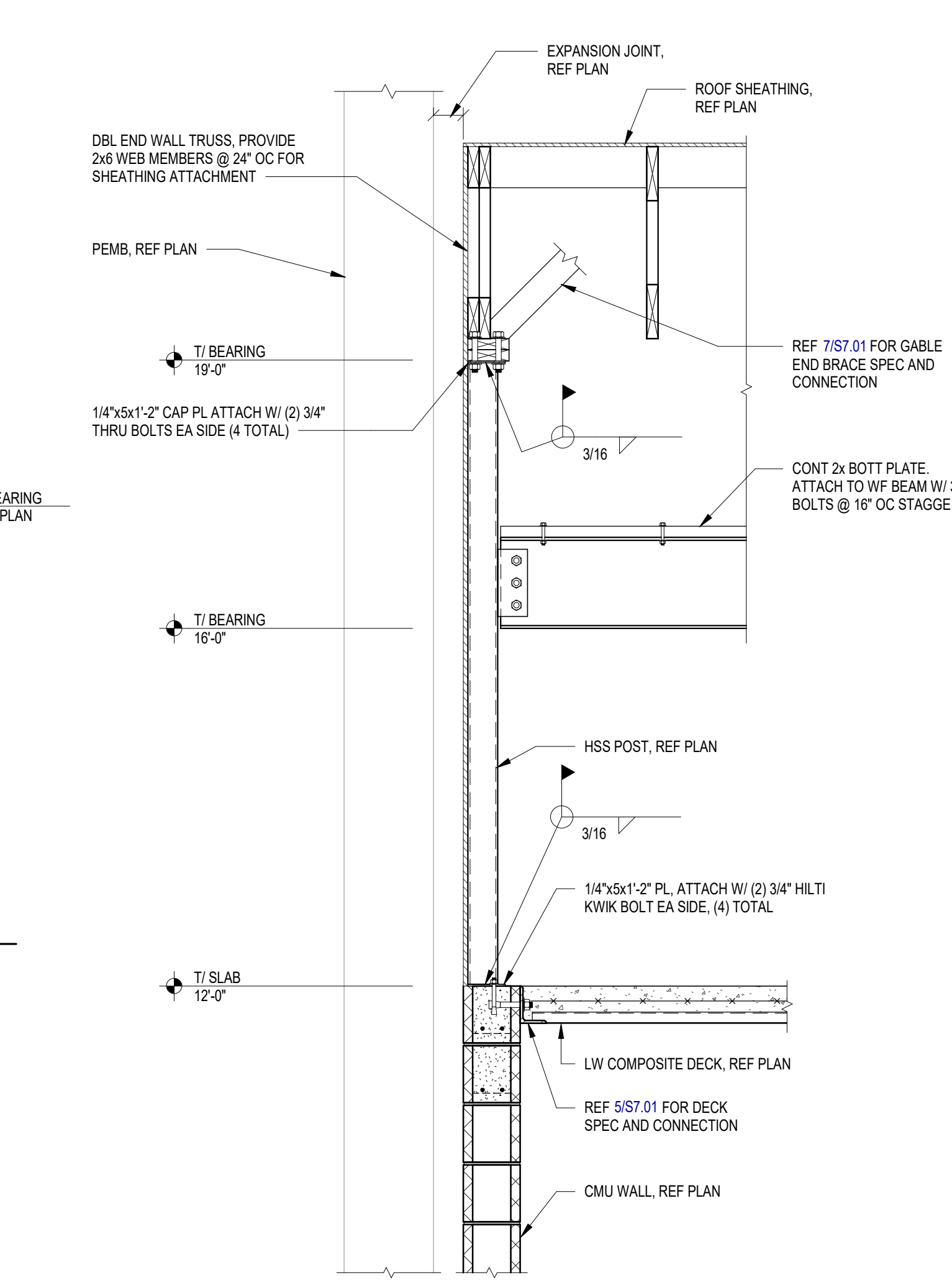
6 SECTION
3/4" = 1'-0"



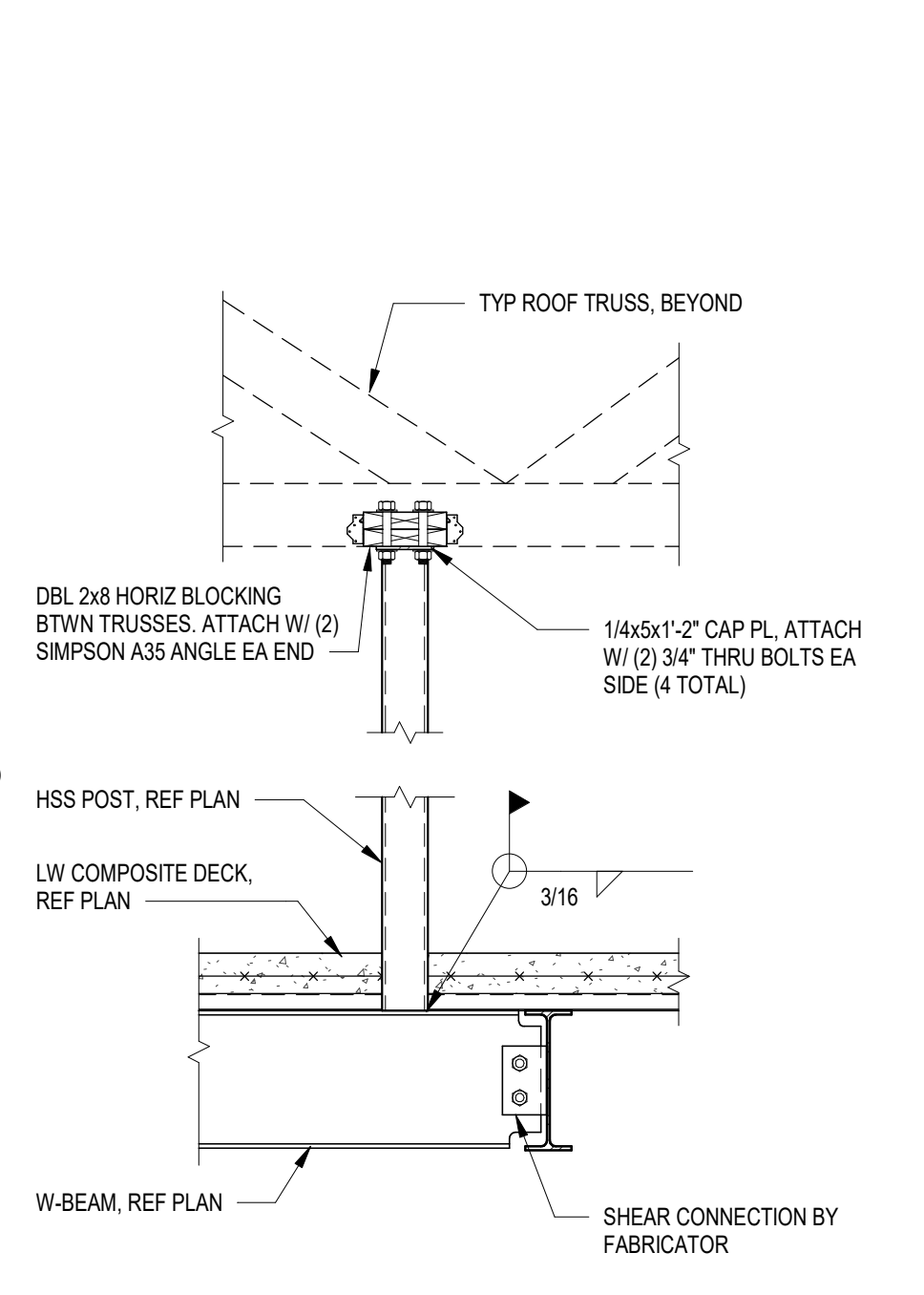
7 SECTION
3/4" = 1'-0"



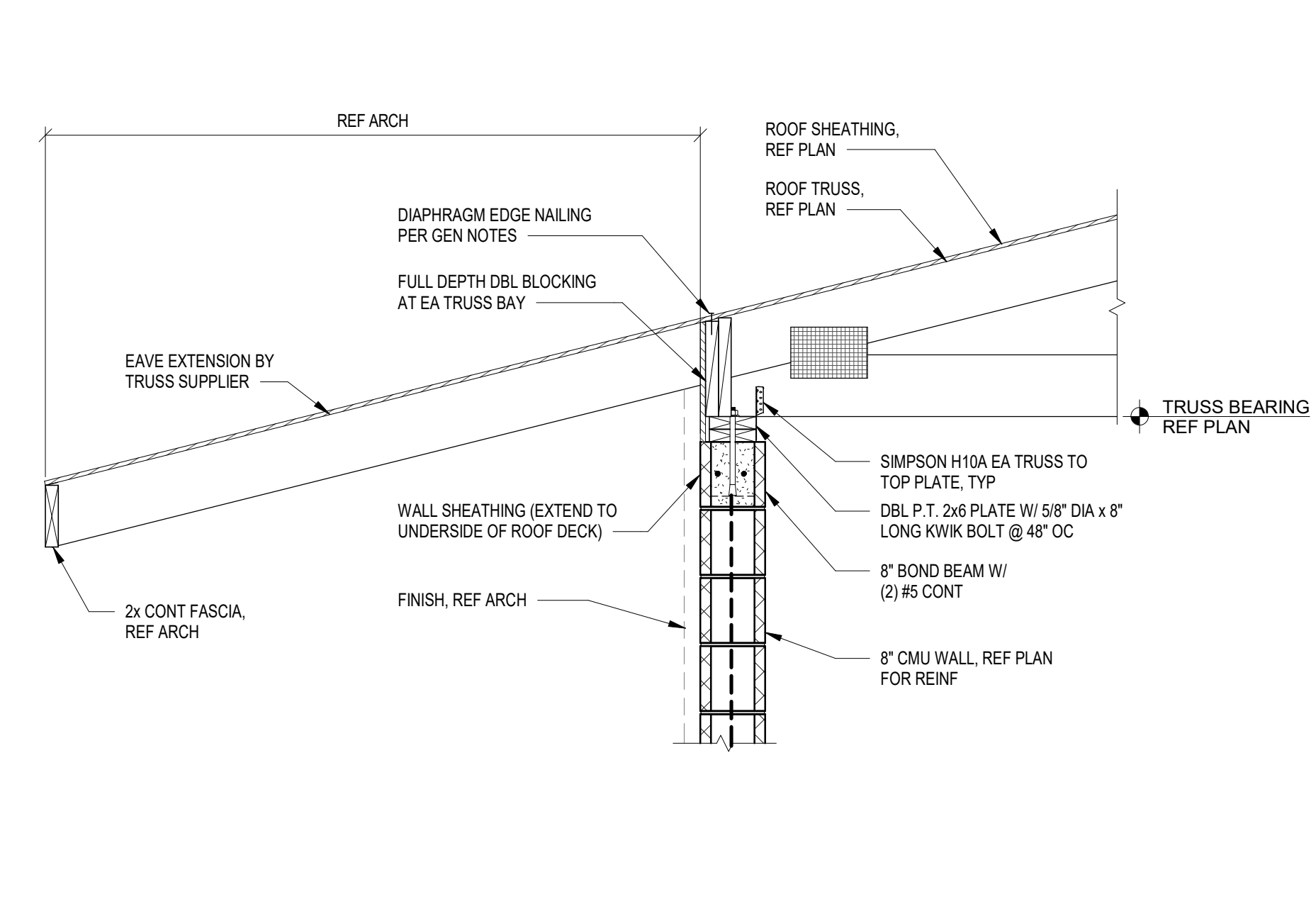
8 SECTION
3/4" = 1'-0"



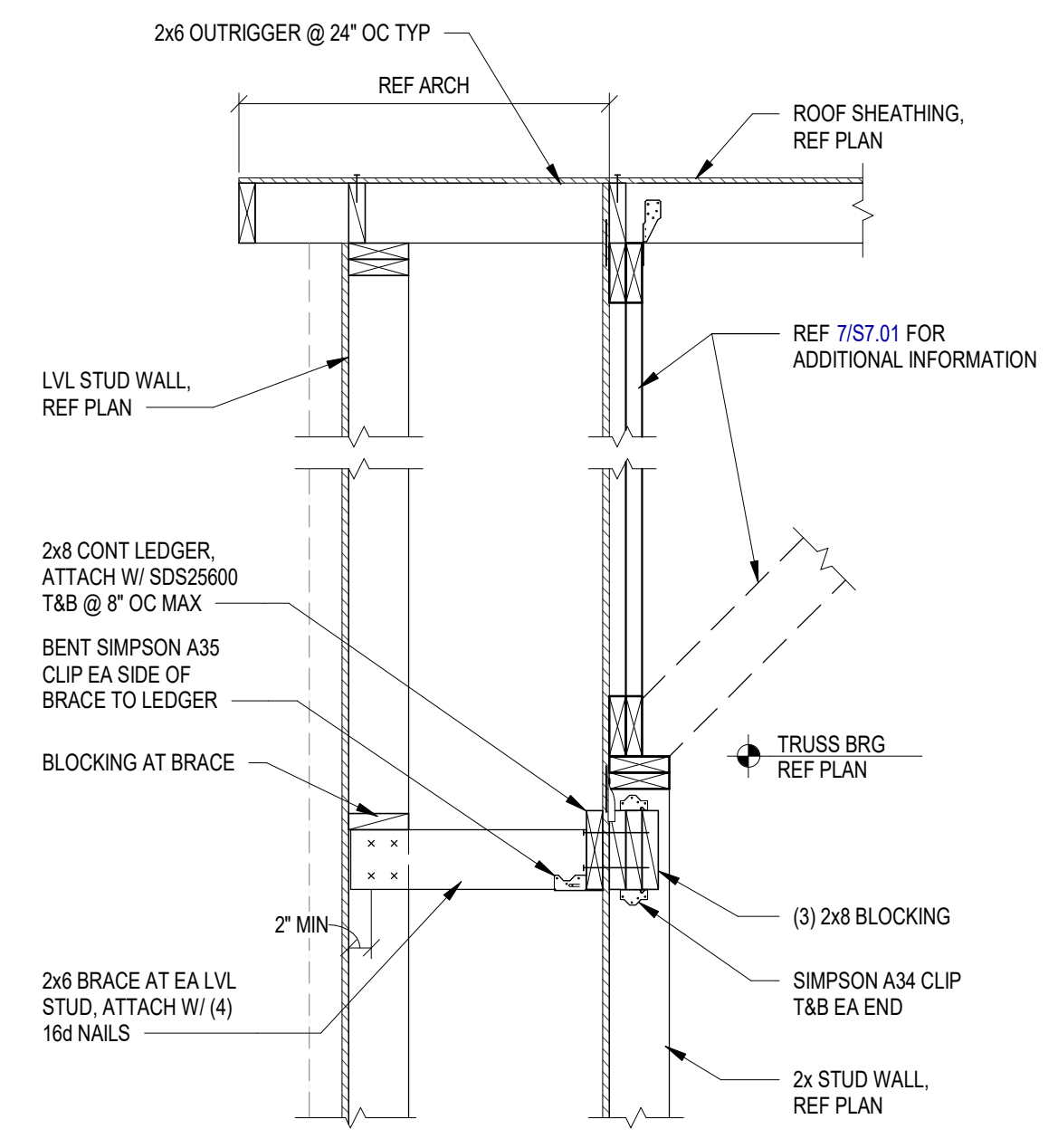
9 SECTION
3/4" = 1'-0"



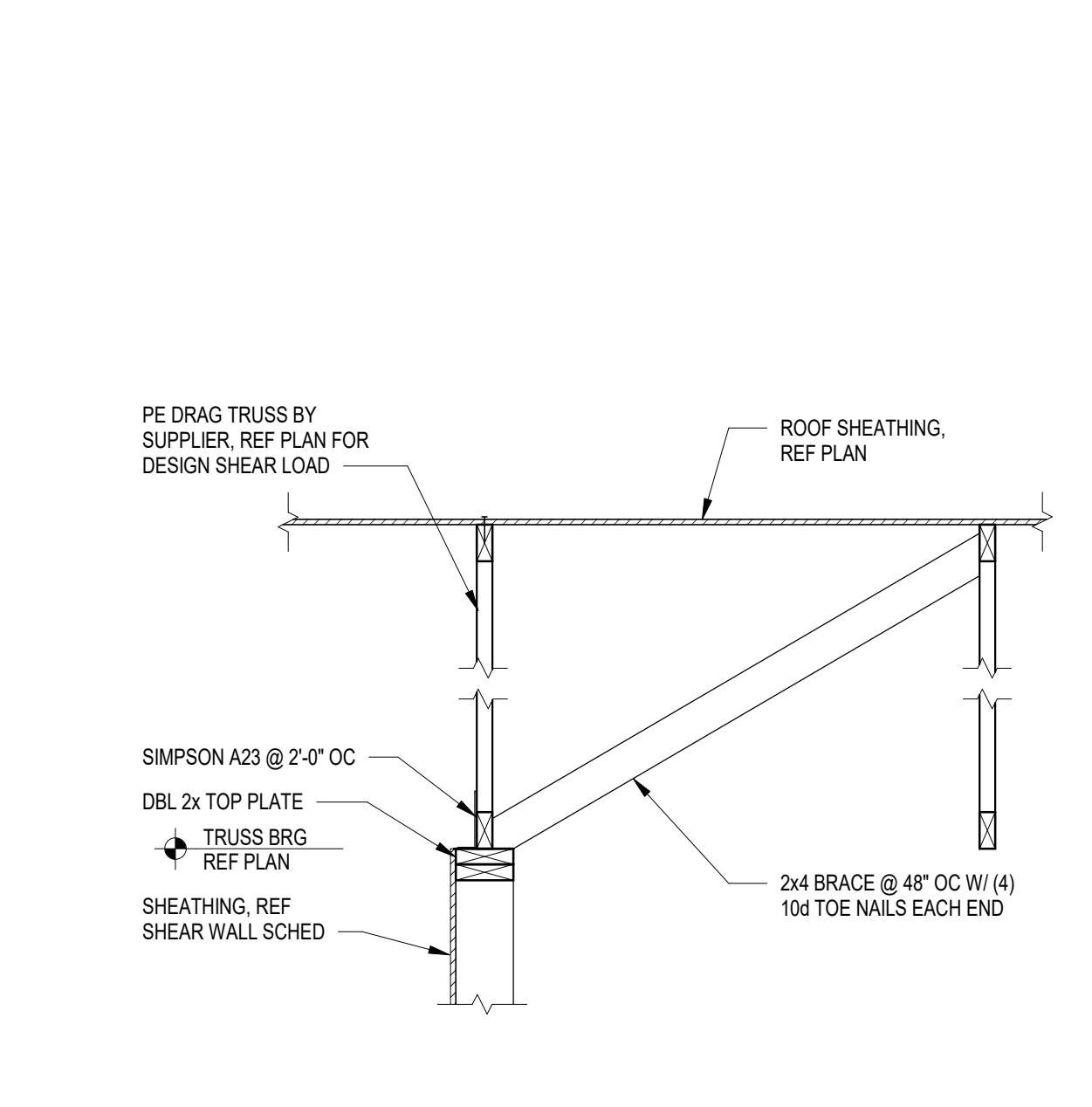
10 SECTION
3/4" = 1'-0"



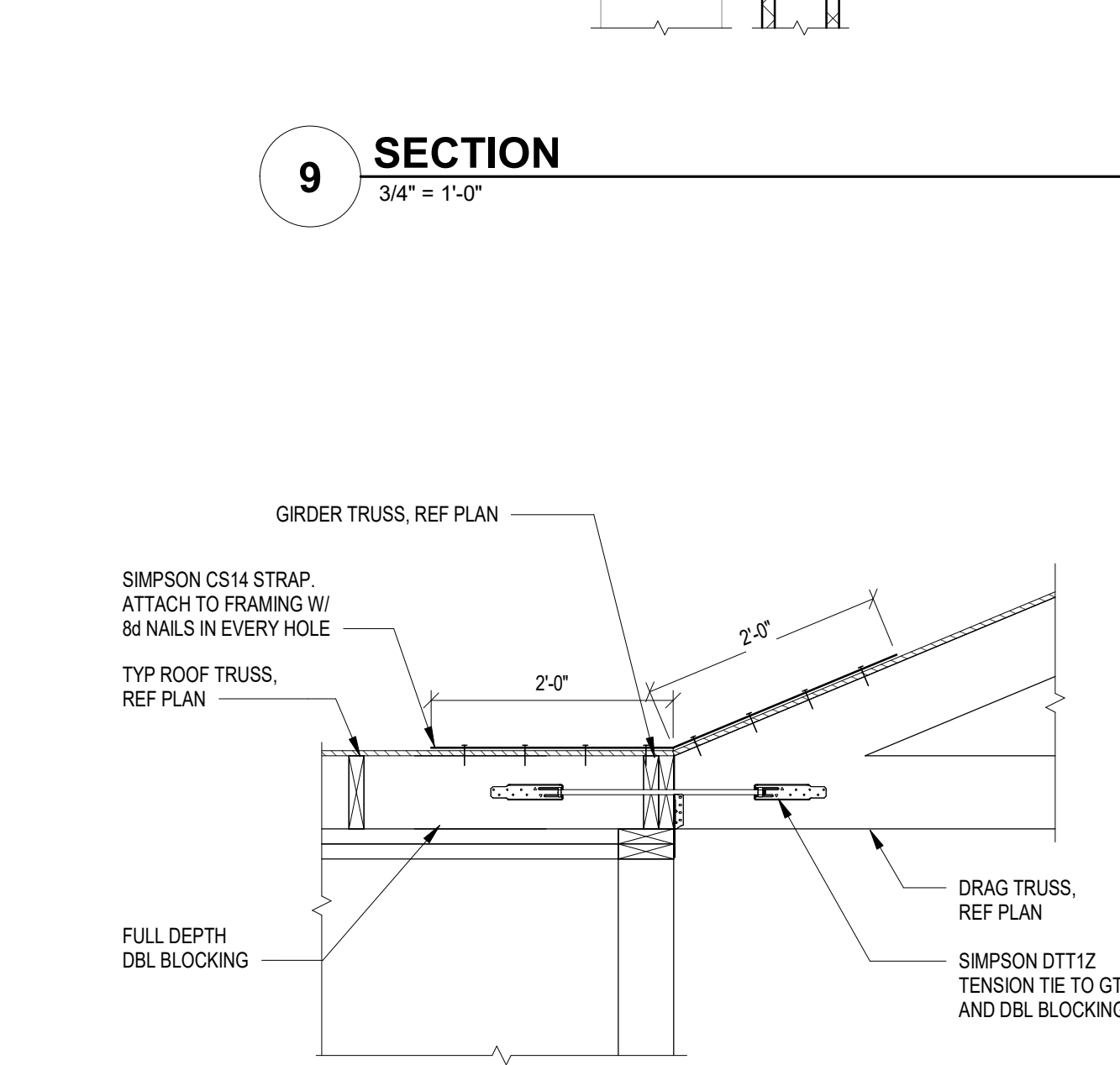
11 SECTION
3/4" = 1'-0"



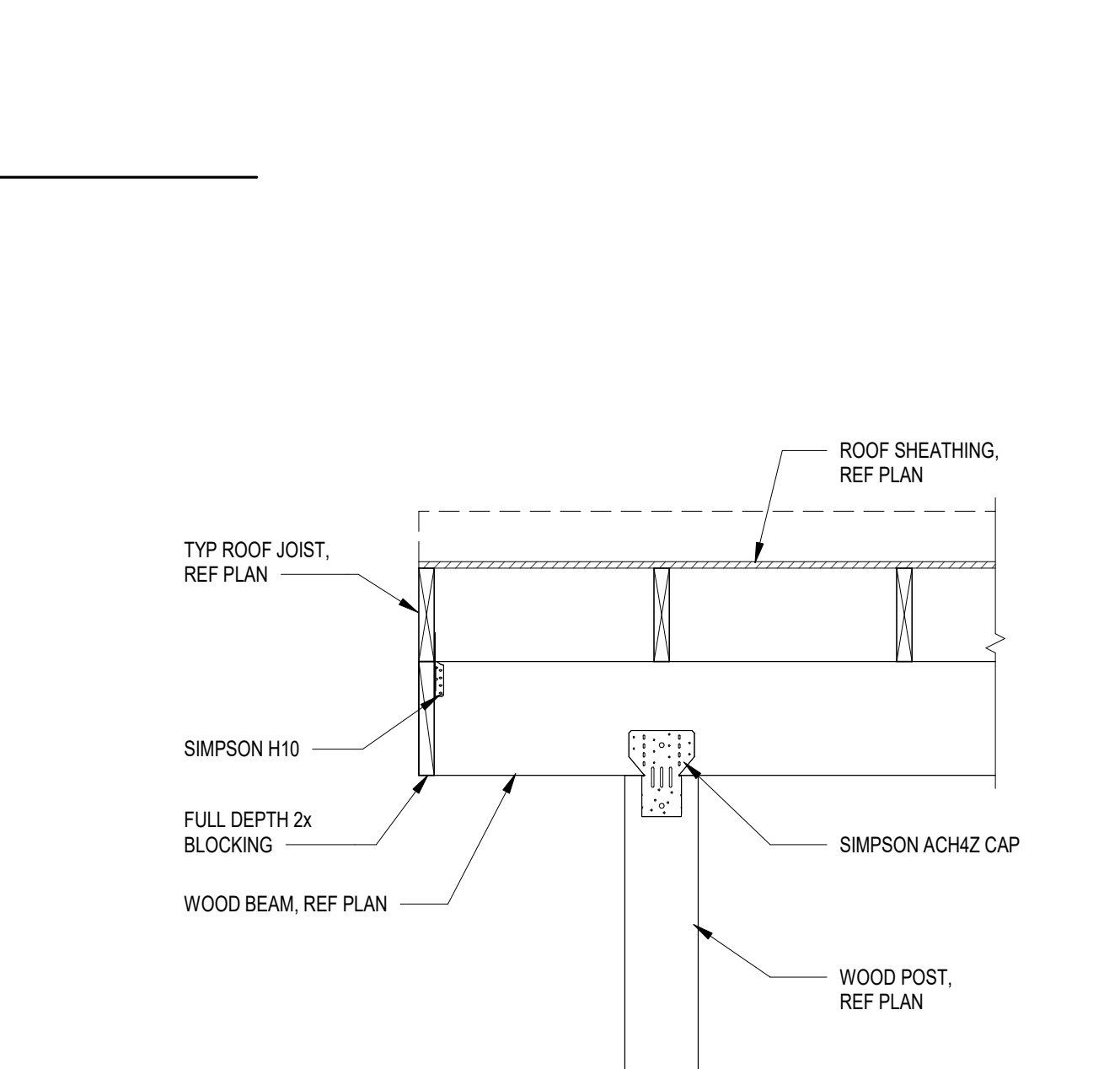
12 SECTION
3/4" = 1'-0"



13 SECTION
3/4" = 1'-0"



14 SECTION
3/4" = 1'-0"



15 SECTION
3/4" = 1'-0"

Copyright: These Drawings are the property of DP3 Architects, Ltd., and reuse on any other project without written permission will result in legal action.

Seal

**DP3
ARCHITECTS**

DP3 Architects, Ltd.
15 South Main Street, Suite 400
Greenville, SC 29601
864.232.6200
www.DP3architects.com

Project



**NEWBERRY COUNTY
PUBLIC SAFETY
COMPLEX**

Project Number 23232
Drawn By AB
Checked By MGR/G
Date 17 APR 2026

Revisions

A	09 OCT 2024	30% SET
B	16 JAN 2026	60% SET
C	19 FEB 2026	90% SET
D	12 MAR 2026	PERMIT SET
E	20 APR 2026	ADDENDUM 2

Drawing

**SECTIONS AND
DETAILS**

S7.01