

PRIOR APPROVALS

Apr 10 2026

Project Number PJ0015280

NEWBERRY COUNTY PUBLIC SAFETY COMPLEX



SESCO
LIGHTING

- NO EXCEPTIONS TAKEN REVISE & RESUBMIT
 MAKE CORRECTIONS NOTED – NO RESUBMITTAL REQUIRED
 REJECTED OTHER Verify color of Type SA fixture and pole with architect.

Corrections or comments made on the shop drawings during this review do not relieve the contractor from compliance with requirements of the drawings and specifications. This check is only for review and general conformance with the design concept of the project and general compliance with the information given in the contract documents. The contractor is responsible for confirming and correlating all quantities, dimensions, details and accuracy; selecting fabrication processes and techniques of construction; coordinating their work with that of all other trades; and performing their work in a safe and satisfactory manner.

DEVITA & ASSOCIATES, INC.

JOB NO. 24503-01 DATE 4/17/2026 BY T. Bucher

RECEIVED

April 16, 2026

DEVITA & ASSOCIATES

Material finishes are not reviewed by this engineer, and shall be confirmed by architect/owner prior to ordering.



- Prepared By -

DEBBIE PARHAM - SESCO - South Carolina
864-675-9250
dparham@sescolighting.com
39 Pelham Davis Circle
Greenville, SC 29615, USA



PRIOR APPROVALS

NEWBERRY COUNTY PUBLIC SAFETY COMPLEX

Project Number PJ0015280

Table of Contents

Datasheets

Unknown			
Type	Manufacturer	Model Number & Description	Pg.
FP	B-K LIGHTING	<u>HP2-IN-LID-LCB-AL-FFM-HDE-120-X44-SP-010-09-00-W L00-STD FINISH-TC-GS</u>	2
SA	GARDCO	<u>OPF-S-A01-730-T2M-AR1-120-FAWS-TLP-BZ</u>	7
SA-POLE	WISCONSIN LIGHTING LAB, INC (WILL)	<u>NP-RSAA-20-4040-D-AB-SB-DB-D1</u>	16



PRIOR APPROVALS
NEWBERRY COUNTY PUBLIC SAFETY COMPLEX

Project Number PJ0015280

Datasheets

Unknown



Job Name : NEWBERRY COUNTY PUBLIC SAFETY COMPLEX
 Manufacturer : B-K LIGHTING
 Model Number : HP2-IN-LID-LCB-AL-FFM-HDE-120-X44-SP-010-09-00-WL00-STD
 FINISH-TC-GS

Type :
FP

Fixtures | In-grade (formerly HP2 Integral 12, 20, or 34W / HP2-LED-TR-x)
HP2 - In-grade - Line Voltage - LED COB - Deep Housing - Faceplate Flush Mount

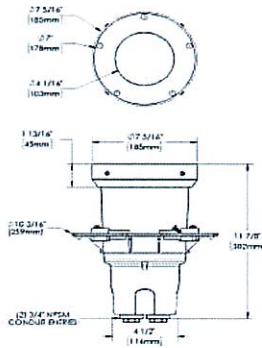


UPGRADED



- Downloads
 Product Images (.zip)
 Technical Drawing (.zip)
 IES Files (.zip)
 BIM - Revit (.zip)
 Installation Instructions (.pdf)

Product Variant Examples



AMERICAN MADE + EMPLOYEE OWNED | 40429 Brickyard Drive, Madera, CA 93636 | +1 (559) 438-5800 | info@bklighting.com | bklighting.com

Copyright © B-K Lighting, Inc. This document contains proprietary information of B-K Lighting, inc. and its receipt or possession does not convey any rights to reproduce, disclose its contents, or to manufacture, use or sell anything it may describe.

Technical information is subject to change at the discretion of B-K Lighting Inc. For the most current technical data, please refer to bklighting.com



Job Name : NEWBERRY COUNTY PUBLIC SAFETY COMPLEX

Type :

Manufacturer : B-K LIGHTING

FP

Model Number : HP2-IN-LID-LCB-AL-FFM-HDE-120-X44-SP-010-09-00-WL00-STD
FINISH-TC-GS

Fixtures | In-grade

(formerly HP2 Integral 12, 20, or 34W / HP2-LED-TR-x)



HP2 - In-grade - Line Voltage - LED COB - Deep Housing - Faceplate Flush Mount

Available Logic & Configurations

HP2-	IN-	LID-	LCB-	-	FFM-	HDE-	-
01	02	03	04	05	06B	06D	06E

01 SERIES
HP2 - HP2

02 CATEGORY
IN - In-grade

03 DRIVER
LID - Line Voltage

04 LIGHT SOURCE (TYPE)
LCB - LED COB

05 MATERIAL
AL - Aluminum
BR - Brass
SS - Stainless Steel

06B MOUNT
FFM - Faceplate Flush Mount

06D VERSION
HDE - Deep Housing

06E INPUT VOLTAGE
120 - 120V
277 - 277V

-	-	-	-	-	WL00-	-	-
07	08	09	10A	10B	11	12	13

07 LIGHT SOURCE

- x58 - 2700K CRI80 - 12W (625 - 724 lm)
- x59 - 3000K CRI80 - 12W (655 - 758 lm)
- x60 - 4000K CRI80 - 12W (736 - 851 lm)
- x61 - 2700K CRI80 - 20W (1063 - 1306 lm)
- x62 - 3000K CRI80 - 20W (1121 - 1378 lm)
- x63 - 4000K CRI80 - 20W (1168 - 1435 lm)
- x43 - 2700K CRI80 - 34W (1860 - 1915 lm)
- x44 - 3000K CRI80 - 34W (1941 - 1998 lm)**
- x45 - 4000K CRI80 - 34W (2022 - 2081 lm)
- x70 - 2700K CRI90 - 34W
- x71 - 3000K CRI90 - 34W
- x76 - 3500K CRI90 - 34W

08 OPTIC

- SP - Spot (15°)
- NFL - Narrow Flood (25°)
- MFL - Medium Flood (35°)
- WFL - Wide Flood (60°)

09 CONTROL

- ELV - ELV Dimming (For use with Electronic Low Voltage Dimmer, 120V only.)
- INC - INC Dimming (For use with Incandescent Dimmer, 120V only.)
- 010 - 0-10V (120V,277V)**

10A LENS

- 09 - Clear (Standard)**
- 12 - Soft Focus
- 13 - Rectilinear

10B SHIELDING

- 00 - Not included (Standard)**
- 11 - Honeycomb Baffle

11 WIRING LENGTH

- WL00 - Standard**

12 FINISH

Standard Finishes

- BLP, BZP, WHP, SAP, BLW, BZW, WHW, VER
- Premium Finishes
- CMG, SMG, RMG, AMG, TXF, BCM, BGE, WCP, OCP, HUG, ABP, BPP, SDS,
- WIR, CAP, CRM, AQW, NBP
- Other - RAL
- RAL
- Other - Custom Color
- CUS
- Brass Finishes
- MAB, POB, MIT
- Stainless Steel Finishes
- MAS, POS

13 OPTION

- HD - Half Dome - HP2
- RO - Rock Guard with Optical Opening - HP2
- GM-R - Round Grout Mask - HP2/DR2
- GM-S - Square Grout Mask - HP2/DR2**
- TC - Traction Control Lens - HP2**
- AH - Accessory Holder - HP2
- RG - Rock Guard - HP2
- GS - Glare Shield - HP2**

NOTE: Not all configurations may be compatible with one another. Please configure the product for specific 2D, Photometry, Downloads, Spec Sheet and Compatible mountings and power supplies.

AMERICAN MADE + EMPLOYEE OWNED | 40429 Brickyard Drive, Madera, CA 93636 | +1 (559) 438-5800 | info@bklighting.com | bklighting.com

Copyright © B-K Lighting, Inc. This document contains proprietary information of B-K Lighting, inc. and its receipt or possession does not convey any rights to reproduce, disclose its contents, or to manufacture, use or sell anything it may describe.

Technical information is subject to change at the discretion of B-K Lighting Inc. For the most current technical data, please refer to bklighting.com



Job Name: NEWBERRY COUNTY PUBLIC SAFETY COMPLEX
Manufacturer: B-K LIGHTING
Model Number: HP2-IN-LID-LCB-AL-FFM-HDE-120-X44-SP-010-09-00-WL00-STD
FINISH-TC-GS











Type:
FP

(formerly HP2 Integral 12, 20, or 34W / HP2-LED-TR-x)

Fixtures | In-grade

HP2 - In-grade - Line Voltage - LED COB - Deep Housing - Faceplate Flush Mount

Features

				
Anti-condensation vent allows moisture to exit the fixture but never enter in	Internal optics with adjustable aim	Lens factory adhered to fixture cap providing hermetically sealed optical compartment	Secured with flush, countersunk tamper resistant hardware	Machined solid billet faceplate provides unmatched strength and durability
				
Heavy wall corrosion-free composite housing for direct burial in soil or concrete	Designed and engineered for easy install	Manufactured in the USA with sustainable processes	Water-tight anti-siphon plug prevents moisture ingress from wireways	Easily replaceable modular components reduce waste and extend fixture life

Technical

Driver: Line Voltage

Light Source (Type): LED COB

Material: Aluminum, Brass, Stainless Steel

CCT (K): 2700, 3500, 3000, 4000

CRI: 80, 90

Input Power (W): 12, 20, 34

Delivered Lumens (lm): 625 - 2081

Beam Angle (°): 15, 25, 35, 60, 61

Control: 0-10V (120V,277V), ELV Dimming (For use with Electronic Low Voltage Dimmer, 120V only.), INC Dimming (For use with Incandescent Dimmer, 120V only.)

Mount: Faceplate Flush Mount

Version: Deep Housing

Input Voltage: 120V, 277V

Lens: Soft Focus, Clear (Standard), Rectilinear

Shielding: Not included (Standard), Honeycomb Baffle

Wiring Length: Standard

Finish: Standard Finishes, Premium Finishes, Other - RAL, Other - Custom Color, Brass Finishes, Stainless Steel Finishes

Option: Accessory Holder - HP2, Round Grout Mask - HP2/DR2, Square Grout Mask - HP2/DR2, Glare Shield - HP2, Half Dome - HP2, Rock Guard - HP2, Rock Guard with Optical Opening - HP2, Traction Control Lens - HP2

Material Detail: Furnished in stainless steel (304), Furnished in brass (360), Furnished in copper-free aluminum (6061-T6).

Aiming: Dual axis OptiLock® stainless steel aiming bracket rotates 360° and provides vertical adjustment up to 15° from nadir. Positive lock action eliminates need for adjustment.

Light Source Detail: COB (Chip on Board) technology and modular design with electrical quick disconnects., 12W and 20W are compatible with Spot, Flood, Wide Flood. 34W is compatible with Narrow Flood and Wide Flood.

Optics: Interchangeable optics permit changes in the field.

Hardware: Tamper-resistant, stainless steel hardware. Hardware is black oxide treated for additional corrosion resistance.

Sealing: High temperature silicone 'O' Ring at faceplate. HydroLock® technology provides fail-safe water barrier between junction box and interior components.

Note: If you choose a Lens and/or Shielding option, Accessory Holder required.

Finish Detail: Powder coat or metal finish options available for brass material., Metal finish option only for stainless steel material., StarGuard, our 15-stage chromate-free process, cleans and conversion coats aluminum components prior to application of Class 'A' TGIC polyester powder coating. It is RoHS compliant.

Warranty: 5-year limited warranty.

AMERICAN MADE + EMPLOYEE OWNED | 40429 Brickyard Drive, Madera, CA 93636 | +1 (559) 438-5800 | info@bklighting.com | bklighting.com

Copyright © B-K Lighting, Inc. This document contains proprietary information of B-K Lighting, inc. and its receipt or possession does not convey any rights to reproduce, disclose its contents, or to manufacture, use or sell anything it may describe.

Technical information is subject to change at the discretion of B-K Lighting Inc. For the most current technical data, please refer to bklighting.com



Job Name : NEWBERRY COUNTY PUBLIC SAFETY COMPLEX

Type : **FP**

Manufacturer : B-K LIGHTING

Model Number : HP2-IN-LID-LCB-AL-FFM-HDE-120-X44-SP-010-09-00-WL00-STD
FINISH-TC-GS

Fixtures | In-grade

(formerly HP2 Integral 12, 20, or 34W / HP2-LED-TR-x)



HP2 - In-grade - Line Voltage - LED COB - Deep Housing - Faceplate Flush Mount

Finishes

STANDARD FINISHES



PREMIUM FINISHES



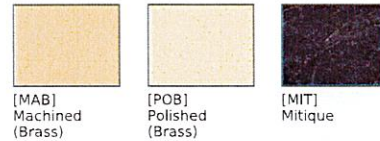
OTHER - RAL



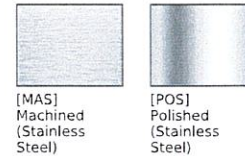
OTHER - CUSTOM COLOR



BRASS FINISHES



STAINLESS STEEL FINISHES



AMERICAN MADE + EMPLOYEE OWNED | 40429 Brickyard Drive, Madera, CA 93636 | +1 (559) 438-5800 | info@bklighting.com | bklighting.com

Copyright © B-K Lighting, Inc. This document contains proprietary information of B-K Lighting, inc. and its receipt or possession does not convey any rights to reproduce, disclose its contents, or to manufacture, use or sell anything it may describe.

Technical information is subject to change at the discretion of B-K Lighting Inc. For the most current technical data, please refer to bklighting.com



Job Name: NEWBERRY COUNTY PUBLIC SAFETY COMPLEX
Manufacturer: B-K LIGHTING
Model Number: HP2-IN-LID-LCB-AL-FFM-HDE-120-X44-SP-010-09-00-WL00-STD
 FINISH-TC-GS

Type:
FP

(formerly HP2 Integral 12, 20, or 34W / HP2-LED-TR-x)

Fixtures | In-grade

HP2 - In-grade - Line Voltage - LED COB - Deep Housing - Faceplate Flush Mount

Light Source

Light Source	Optic	Beam Angle	CCT (K)	CRI	R9	Input Power (W)	Delivered Lumens (Lm)	CBCP
x58	SP - Spot	15	2700	80	>15	12	724	3877
x58	MFL - Medium Flood	35	2700	80	>15	12	663	1498
x58	WFL - Wide Flood	60	2700	80	>15	12	625	629
x59	SP - Spot	15	3000	80	>15	12	758	4059
x59	MFL - Medium Flood	35	3000	80	>15	12	694	1568
x59	WFL - Wide Flood	60	3000	80	>15	12	655	659
x60	SP - Spot	15	4000	80	>15	12	851	4561
x60	MFL - Medium Flood	35	4000	80	>15	12	780	1762
x60	WFL - Wide Flood	61	4000	80	>15	12	736	740
x61	SP - Spot	15	2700	80	>15	20	1306	7098
x61	MFL - Medium Flood	35	2700	80	>15	20	1124	2621
x61	WFL - Wide Flood	60	2700	80	>15	20	1063	1048
x62	SP - Spot	15	3000	80	>15	20	1378	7488
x62	MFL - Medium Flood	35	3000	80	>15	20	1186	2765
x62	WFL - Wide Flood	60	3000	80	>15	20	1121	1106
x63	SP - Spot	15	4000	80	>15	20	1435	7800
x63	MFL - Medium Flood	35	4000	80	>15	20	1235	2880
x63	WFL - Wide Flood	60	4000	80	>15	20	1168	1152
x43	NFL - Narrow Flood	25	2700	80	>15	34	1915	5435
x43	WFL - Wide Flood	60	2700	80	>15	34	1860	2697
x44	NFL - Narrow Flood	25	3000	80	>15	34	1998	5672
x44	WFL - Wide Flood	60	3000	80	>15	34	1941	2814
x45	NFL - Narrow Flood	25	4000	80	>15	34	2081	5908
x45	WFL - Wide Flood	60	4000	80	>15	34	2022	2931
x70	NFL - Narrow Flood	25	2700	90	>50	34		
x70	WFL - Wide Flood	60	2700	90	>50	34		
x71	NFL - Narrow Flood	25	3000	90	>50	34		
x71	WFL - Wide Flood	60	3000	90	>50	34		
x76	NFL - Narrow Flood	25	3500	80	>15	34		
x76	WFL - Wide Flood	60	3500	80	>15	34		

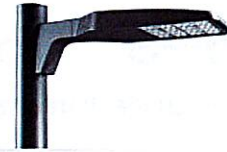
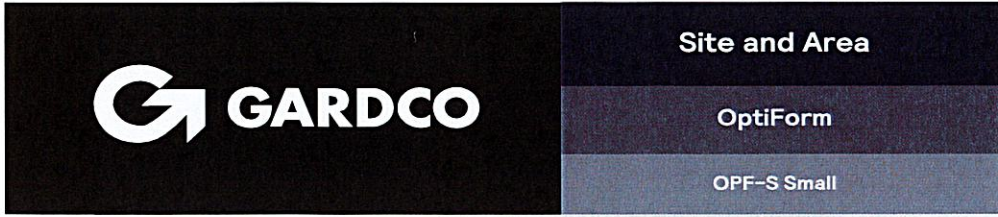
AMERICAN MADE + EMPLOYEE OWNED | 40429 Brickyard Drive, Madera, CA 93636 | +1 (559) 438-5800 | info@bklighting.com | bklighting.com

Copyright © B-K Lighting, Inc. This document contains proprietary information of B-K Lighting, inc. and its receipt or possession does not convey any rights to reproduce, disclose its contents, or to manufacture, use or sell anything it may describe.
 Technical information is subject to change at the discretion of B-K Lighting Inc. For the most current technical data, please refer to bklighting.com



Job Name : NEWBERRY COUNTY PUBLIC SAFETY COMPLEX
 Manufacturer : GARDCO
 Model Number : OPF-S-A01-730-T2M-AR1-120-FAWS-TLP-BZ

Type : SA



Gardco OptiForm site and area luminaires are available in three sizes: small, medium and large. Featuring the latest in LED technology, OptiForm achieves up to 192 lumens per watt. Eleven optical distributions are available, suitable for a range of outdoor lighting applications. OptForm features a unique mounting system with a two-piece housing for hassle-free installation. Mounting options include a standard arm, mast arm, and wall mount bracket. Service Tag is a standard feature with every OptiForm luminaire, providing maintenance or upgrade assistance throughout the life of the product.

Project: _____
 Location: _____
 Cat.No: _____
 Type: _____
 Lamps: _____ Qty: _____
 Notes: _____

Ordering guide

example: OPF-S-A01-840-T4M-AR1-120-BL50-L3-BZ

Luminaire	Configuration (nom. lumens)	Color Temperature	Distribution	Mounting	Voltage																																																													
OPF-S																																																																		
OPF-S OptiForm Small Area	<table border="1"> <tr> <th>Site and Area</th> <th>Precision Plus* (T2M, T3M, T4M, T5M only)</th> </tr> <tr> <td>A01 7,000 lumens</td> <td>P01 2,500 lumens</td> </tr> <tr> <td>A02 9,000 lumens</td> <td>P02 4,000 lumens</td> </tr> <tr> <td>A03 11,000 lumens</td> <td>P03 6,500 lumens</td> </tr> <tr> <td>A04 15,000 lumens</td> <td>P04 9,000 lumens</td> </tr> <tr> <td>A05 17,000 lumens</td> <td>P05 11,500 lumens</td> </tr> <tr> <td>A06 19,000 lumens</td> <td>P06 14,000 lumens</td> </tr> <tr> <td>A07 20,000 lumens</td> <td>P07 16,500 lumens</td> </tr> <tr> <td></td> <td>P08 19,000 lumens</td> </tr> <tr> <td></td> <td>P09 22,000 lumens</td> </tr> </table>	Site and Area	Precision Plus* (T2M, T3M, T4M, T5M only)	A01 7,000 lumens	P01 2,500 lumens	A02 9,000 lumens	P02 4,000 lumens	A03 11,000 lumens	P03 6,500 lumens	A04 15,000 lumens	P04 9,000 lumens	A05 17,000 lumens	P05 11,500 lumens	A06 19,000 lumens	P06 14,000 lumens	A07 20,000 lumens	P07 16,500 lumens		P08 19,000 lumens		P09 22,000 lumens	<table border="1"> <tr> <td>827' 80CRI 2700K</td> <td>AFR Autofront row</td> <td>LCL LEED corner optic left</td> </tr> <tr> <td>830 80CRI 3000K</td> <td>T2M Type 2 medium</td> <td>LCR LEED corner optic right</td> </tr> <tr> <td>840 80CRI 4000K</td> <td>T3M Type 3 medium</td> <td>BLC Back light control</td> </tr> <tr> <td>727' 70CRI 2700K</td> <td>T4M Type 4 medium</td> <td>2RL Type 2 rotated left 90°</td> </tr> <tr> <td>730 70CRI 3000K</td> <td>T4W Type 4 wide</td> <td>2RR Type 2 rotated right 270°</td> </tr> <tr> <td>740 70CRI 4000K</td> <td>T5N Type 5 narrow</td> <td>3RL Type 3 rotated left 90°</td> </tr> <tr> <td>750 70CRI 5000K</td> <td>T5M Type 5 medium</td> <td>3RR Type 3 rotated right 270°</td> </tr> <tr> <td></td> <td>T5W Type 5 wide</td> <td>4RL' Type 4 rotated left 90°</td> </tr> <tr> <td></td> <td></td> <td>4RR' Type 4 rotated right 270°</td> </tr> </table>	827' 80CRI 2700K	AFR Autofront row	LCL LEED corner optic left	830 80CRI 3000K	T2M Type 2 medium	LCR LEED corner optic right	840 80CRI 4000K	T3M Type 3 medium	BLC Back light control	727' 70CRI 2700K	T4M Type 4 medium	2RL Type 2 rotated left 90°	730 70CRI 3000K	T4W Type 4 wide	2RR Type 2 rotated right 270°	740 70CRI 4000K	T5N Type 5 narrow	3RL Type 3 rotated left 90°	750 70CRI 5000K	T5M Type 5 medium	3RR Type 3 rotated right 270°		T5W Type 5 wide	4RL' Type 4 rotated left 90°			4RR' Type 4 rotated right 270°	<table border="1"> <tr> <td>AR1¹⁷ Arm mount (standard)</td> <td>120 120V</td> </tr> <tr> <td>MAR³ Mast arm</td> <td>208 208V</td> </tr> <tr> <td>WAL Wall mount</td> <td>240 240V</td> </tr> <tr> <td>MOS⁴ Mounting ordered separately</td> <td>277 277V</td> </tr> <tr> <td></td> <td>347 347V</td> </tr> <tr> <td></td> <td>480 480V</td> </tr> <tr> <td></td> <td>UNV 120-277V</td> </tr> <tr> <td></td> <td>HVU⁶ 347-480V</td> </tr> </table>	AR1 ¹⁷ Arm mount (standard)	120 120V	MAR ³ Mast arm	208 208V	WAL Wall mount	240 240V	MOS ⁴ Mounting ordered separately	277 277V		347 347V		480 480V		UNV 120-277V		HVU ⁶ 347-480V
Site and Area	Precision Plus* (T2M, T3M, T4M, T5M only)																																																																	
A01 7,000 lumens	P01 2,500 lumens																																																																	
A02 9,000 lumens	P02 4,000 lumens																																																																	
A03 11,000 lumens	P03 6,500 lumens																																																																	
A04 15,000 lumens	P04 9,000 lumens																																																																	
A05 17,000 lumens	P05 11,500 lumens																																																																	
A06 19,000 lumens	P06 14,000 lumens																																																																	
A07 20,000 lumens	P07 16,500 lumens																																																																	
	P08 19,000 lumens																																																																	
	P09 22,000 lumens																																																																	
827' 80CRI 2700K	AFR Autofront row	LCL LEED corner optic left																																																																
830 80CRI 3000K	T2M Type 2 medium	LCR LEED corner optic right																																																																
840 80CRI 4000K	T3M Type 3 medium	BLC Back light control																																																																
727' 70CRI 2700K	T4M Type 4 medium	2RL Type 2 rotated left 90°																																																																
730 70CRI 3000K	T4W Type 4 wide	2RR Type 2 rotated right 270°																																																																
740 70CRI 4000K	T5N Type 5 narrow	3RL Type 3 rotated left 90°																																																																
750 70CRI 5000K	T5M Type 5 medium	3RR Type 3 rotated right 270°																																																																
	T5W Type 5 wide	4RL' Type 4 rotated left 90°																																																																
		4RR' Type 4 rotated right 270°																																																																
AR1 ¹⁷ Arm mount (standard)	120 120V																																																																	
MAR ³ Mast arm	208 208V																																																																	
WAL Wall mount	240 240V																																																																	
MOS ⁴ Mounting ordered separately	277 277V																																																																	
	347 347V																																																																	
	480 480V																																																																	
	UNV 120-277V																																																																	
	HVU ⁶ 347-480V																																																																	

Dimming Controls	Sensing	Options (electrical, mechanical, etc)	Emergency	Finish
<p>The following options include 0-10V Driver</p> <p>none 0-10V dimming driver</p> <p>DLEA^{5,10} Dimming leads externally accessible (controls by others)</p> <p>FAWS^{6,10} Field adjustable wattage selector</p>	<p>L2 PIR sensor, #2 lens (Required if BL50 is selected)</p> <p>L3 PIR sensor, #3 lens (Required if BL50 is selected)</p> <p>WIAP sensor options</p> <p>LB Low (7'-15' mounting height) sensor, black color housing, wireless interact, integral</p> <p>LW Low (7'-15' mounting height) sensor, white color housing</p> <p>HB⁸ High (15'-40' mounting height) sensor, black color housing</p> <p>HW⁸ High (15'-40' mounting height) sensor, white color housing</p>	<p>None Surge protector 10kV/10kA standard</p> <p>SP2 Surge protector 20kV/10kA (option)</p> <p>FS1¹¹ Single fuse (120, 277, or 347VAC)</p> <p>FS2¹¹ Double fuse (208, 240, or 480V)</p> <p>PCB^{11,12} Photocell button connected to 0-10V driver</p> <p>TR5 NEMA Twist-lock 5-pin receptacle connected to 0-10V driver</p> <p>TR7¹³ 7-pin twist lock receptacle connected to D4i compliant driver</p> <p>TLP^{13,14} 7-pin twist lock receptacle connected to D4i compliant driver w/ 3-pin photocell</p> <p>EHS Housing machined to accept external house side shield for field install. Must be combined with OPF-S-EHS-1 accessory.</p> <p>BAC¹⁵ Meets the requirements of the Buy American Act of 1933 (BAA)</p>	<p>EM^{12,14,15} Emergency Battery Pack (0-40 °C)</p> <p>Available with precision plus optics P01-P03 only</p>	<p>Standard textured finish</p> <p>BK Black</p> <p>WH White</p> <p>BZ Bronze</p> <p>DG Dark Gray</p> <p>MG Medium Gray</p> <p>Customer specified</p> <p>OC Special optional color or RAL, consult factory</p> <p>SC Special color (must supply color chip, requires factory quote)</p>

- Extended leadtime applies. Consult factory for details.
- Mounts to a square pole with knockout for 4-5" OD round pole.
- Mounts to a horizontal 2-3/8" OD x 5" Long tenon.
- Must be ordered with mounting accessory. Photocell option (TR7) must be selected with mounting accessory. See Page 2 for options.
- Not available with other dimming control options (mutually exclusive).
- Not available with motion sensor (physical restriction).
- Must be specified with a motion sensor lens (L2).
- Not available with PCB, TR5.
- Must be specified with a motion sensor LW, LB.
- Not available with TR7, TLP.
- Must specify input voltage.
- Not available in HVU [347-480V].
- Not available with lumen packages P01, P02 in UNV [120-277] and with lumen packages A01-A03, P01-P05 in HVU [347-480].
- Not available for lumen packages P04-P09.
- Not available with Dynadimmer, SRDR, FAWS, FS1, FS2, DLEA, BL50 (physical restriction).
- Precision Plus Optics (P01-P09) available only with T2M, T3M, T4M, and T5M optical distributions and are non-rotatable.
- OPF-RMB accessory recommended for retrofit applications.
- Failure to properly select the "BAC" suffix could result in you receiving product that is not BAA compliant product with no recourse for an RMA or refund. This BAC designation hereunder does not address (i) the applicability of, or availability of a waiver under, the Trade Agreements Act, or (ii) the "Buy America" domestic content requirements imposed on states, localities, and other non-federal entities as a condition of receiving funds administered by the Department of Transportation or other federal agencies.





OPF-S OptiForm small

Site & area luminaire

Shielding Accessory Kits (order separately)

One shield kit per luminaire

- OPF-S-EHS-1* External house side shield (field installed)
- OPF-S-HIS-1*** Internal house side shields. For Area optic types T2M, T3M, and T5N.
- OPF-S-HIS-T4-1*** Internal house side shield for Area optic types T4M and T4W, qty 1.
- OPF-S-HIS-5M/5W-1*** Internal house side shield for Area optic types T5M and T5W, qty 1

*Must select EHS option on luminaire options section
 **Not available for Precision Plus (P01-P09)
 *** Standard internal house shields (HIS) can be used for rotated optics

Luminaire Accessories (order separately)

Pole Mount Fusing

- FP1 Pole mount single fuse (120V, 277V, or 347V)
- FP2 Pole mount double fuse (208V, 240V, or 480V)
- FP3 Pole mount double fuse canadian double pull (208V, 240V, or 480V)

Photocell Accessories

- P400S Shorting cap

Mountings (boxed and shipped separately)

Must choose Mounting Ordered Separately (MOS) selection for mounting option of luminaires. Useful for attachment of arm to pole prior to luminaire installation.

Standard Arm

- OPF-AR1-(F)^{1,7} Standard arm mount
- OPF-AR1-TR7-(F)^{2,13,17} Mast arm mount with 7-pin (TR7) receptacle

Wall Mount

- OPF-WAL-(F) Wall mount bracket
- OPF-WAL-TR7-(F)¹³ Wall mount with 7-pin (TR7) receptacle

Mast Arm

- OPF-MAR-(F)¹ Mast arm mount
- OPF-MAR-TR7-(F)^{1,13} Mast arm mount with 7-pin (TR7) receptacle

Mounting Accessories

- OPF-RMB Retrofit Mounting Bolster Plate for attaching OptiForm to existing poles. Recommended for retrofit applications.
- OPF-RPA Round Pole Adapter. Fits to 3"-3.9" O.D. pole. Painted black.

Pole Top Fitters

PTF2 - Pole top fitter fits 2 3/8 - 2 1/2" OD x 4" depth tenon

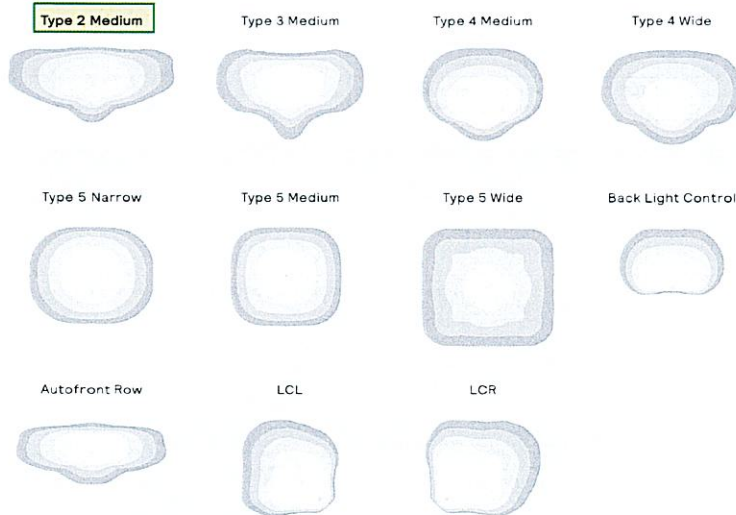
- PTF2-1-90-(F) 1 luminaire at 90°
- PTF2-2-90-(F) 2 luminaires at 90°
- PTF2-3-90-(F) 3 luminaires at 90°
- PTF2-4-90-(F) 4 luminaires at 90°
- PTF2-2-180-(F) 2 luminaires at 180°
- PTF2-3-120-(F) 3 luminaires at 120°

PTF3 - Pole top fitter fits 3-3 1/2" OD x 6" depth tenon

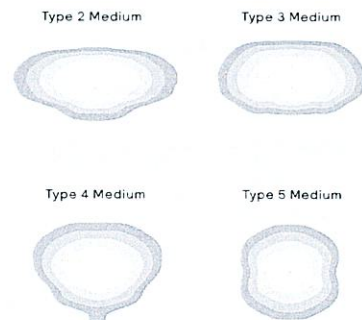
- PTF3-1-90-(F) 1 luminaire at 90°
- PTF3-2-90-(F) 2 luminaires at 90°
- PTF3-3-90-(F) 3 luminaires at 90°
- PTF3-4-90-(F) 4 luminaires at 90°
- PTF3-2-180-(F) 2 luminaires at 180°
- PTF3-3-120-(F) 3 luminaires at 120°

Optical Distributions

Site and Area Optics



Precision Plus Optics





Job Name : NEWBERRY COUNTY PUBLIC SAFETY COMPLEX

Type : SA

Manufacturer : GARDCO

Model Number : OPF-S-A01-730-T2M-AR1-120-FAWS-TLP-BZ

OPF-S OptiForm small

Site & area luminaire

OPF-S Area Optic Lumen values

Performance Package	System Watts	Distribution Type	70 CRI			70 CRI			70 CRI		
			3000K			4000K			5000K		
			Lumen Output	BUG Rating	Efficacy (LPW)	Lumen Output	BUG Rating	Efficacy (LPW)	Lumen Output	BUG Rating	Efficacy (LPW)
A01	42	T2M	6991	B2-U0-G2	167	7391	B2-U0-G2	176	7391	B2-U0-G2	176
		T3M	6935	B2-U0-G2	166	7332	B2-U0-G2	175	7332	B2-U0-G2	175
		T4M	7028	B1-U0-G2	168	7431	B1-U0-G2	177	7431	B1-U0-G2	177
		T5M	7244	B3-U0-G1	173	7659	B3-U0-G1	183	7659	B3-U0-G1	183
		AFR	7241	B2-U0-G2	173	7655	B2-U0-G2	183	7655	B2-U0-G2	183
		T4W	6692	B1-U0-G2	160	7075	B1-U0-G2	169	7075	B1-U0-G2	169
		T5N	7193	B3-U0-G1	172	7605	B3-U0-G1	182	7605	B3-U0-G1	182
		T5W	6926	B3-U0-G2	165	7322	B3-U0-G2	175	7322	B3-U0-G2	175
		LCL	3804	B1-U0-G1	91	4021	B1-U0-G1	96	4021	B1-U0-G1	96
		LCR	3804	B1-U0-G1	91	4021	B1-U0-G1	96	4021	B1-U0-G1	96
		BLC	4874	B0-U0-G1	116	5153	B0-U0-G1	123	5153	B0-U0-G1	123
A02	54	T2M	8941	B2-U0-G2	165	9452	B2-U0-G2	175	9452	B2-U0-G2	175
		T3M	8869	B2-U0-G2	164	9377	B2-U0-G2	173	9377	B2-U0-G2	173
		T4M	8989	B1-U0-G2	166	9503	B1-U0-G2	176	9503	B1-U0-G2	176
		T5M	9265	B3-U0-G2	171	9795	B3-U0-G2	181	9795	B3-U0-G2	181
		AFR	9260	B2-U0-G2	171	9790	B2-U0-G2	181	9790	B2-U0-G2	181
		T4W	8558	B2-U0-G2	158	9048	B2-U0-G2	167	9048	B2-U0-G2	167
		T5N	9200	B3-U0-G1	170	9726	B3-U0-G1	180	9726	B3-U0-G1	180
		T5W	8858	B3-U0-G2	164	9365	B3-U0-G2	173	9365	B3-U0-G2	173
		LCL	4864	B1-U0-G1	90	5143	B1-U0-G1	95	5143	B1-U0-G1	95
		LCR	4864	B1-U0-G1	90	5143	B1-U0-G1	95	5143	B1-U0-G1	95
		BLC	6234	B0-U0-G2	115	6591	B0-U0-G2	122	6591	B0-U0-G2	122
A03	64	T2M	10438	B2-U0-G2	164	11035	B2-U0-G2	174	11035	B3-U0-G3	174
		T3M	10354	B2-U0-G2	163	10947	B2-U0-G2	172	10947	B2-U0-G2	172
		T4M	10494	B2-U0-G2	165	11094	B1-U0-G2	174	11094	B2-U0-G2	174
		T5M	10816	B3-U0-G2	170	11435	B3-U0-G2	180	11435	B3-U0-G2	180
		AFR	10811	B3-U0-G3	170	11429	B2-U0-G2	180	11429	B3-U0-G3	180
		T4W	9991	B2-U0-G3	157	10563	B2-U0-G2	166	10563	B2-U0-G3	166
		T5N	10740	B3-U0-G2	169	11355	B3-U0-G1	179	11355	B3-U0-G2	179
		T5W	10341	B4-U0-G2	163	10933	B3-U0-G2	172	10933	B4-U0-G2	172
		LCL	5679	B1-U0-G1	89	6004	B1-U0-G1	94	6004	B1-U0-G1	94
		LCR	5679	B1-U0-G1	89	6004	B1-U0-G1	94	6004	B1-U0-G1	94
		BLC	7278	B1-U0-G2	114	7694	B0-U0-G2	121	7694	B1-U0-G2	121
A04	91	T2M	14465	B3-U0-G3	160	15293	B3-U0-G3	169	15293	B3-U0-G3	169
		T3M	14350	B3-U0-G3	158	15171	B3-U0-G3	167	15171	B3-U0-G3	167
		T4M	14543	B2-U0-G2	160	15375	B2-U0-G2	170	15375	B2-U0-G2	170
		T5M	14990	B4-U0-G2	165	15848	B4-U0-G2	175	15848	B4-U0-G2	175
		AFR	14982	B3-U0-G3	165	15840	B3-U0-G3	175	15840	B3-U0-G3	175
		T4W	13847	B2-U0-G3	153	14639	B2-U0-G3	161	14639	B2-U0-G3	161
		T5N	14884	B4-U0-G2	164	15736	B4-U0-G2	174	15736	B4-U0-G2	174
		T5W	14331	B4-U0-G3	158	15151	B4-U0-G3	167	15151	B4-U0-G3	167
		LCL	7870	B1-U0-G2	87	8321	B1-U0-G2	92	8321	B1-U0-G2	92
		LCR	7870	B1-U0-G2	87	8321	B1-U0-G2	92	8321	B1-U0-G2	92
		BLC	10086	B1-U0-G2	111	10663	B1-U0-G2	118	10663	B1-U0-G2	118



OPF-S OptiForm small

Site & area luminaire

OPF-S Area Optic Lumen values (cont'd)

Performance Package	System Watts	Distribution Type	70 CRI			70 CRI			70 CRI		
			3000K			4000K			5000K		
			Lumen Output	BUG Rating	Efficacy (LPW)	Lumen Output	BUG Rating	Efficacy (LPW)	Lumen Output	BUG Rating	Efficacy (LPW)
A05	104	T2M	16226	B3-U0-G3	156	17155	B3-U0-G3	164	17155	B3-U0-G3	164
		T3M	16096	B3-U0-G3	154	17018	B3-U0-G3	163	17018	B3-U0-G3	163
		T4M	16313	B2-U0-G3	156	17247	B2-U0-G3	165	17247	B2-U0-G3	165
		T5M	16814	B4-U0-G2	161	17777	B4-U0-G2	170	17777	B4-U0-G2	170
		AFR	16806	B3-U0-G3	161	17768	B3-U0-G3	170	17768	B3-U0-G3	170
		T4W	15532	B3-U0-G3	149	16421	B3-U0-G3	157	16421	B3-U0-G3	157
		T5N	16696	B4-U0-G2	160	17652	B4-U0-G2	169	17652	B4-U0-G2	169
		T5W	16075	B4-U0-G3	154	16995	B4-U0-G3	163	16995	B4-U0-G3	163
		LCL	8828	B1-U0-G2	85	9333	B1-U0-G2	89	9333	B1-U0-G2	89
		LCR	8828	B1-U0-G2	85	9333	B1-U0-G2	89	9333	B1-U0-G2	89
		BLC	11314	B1-U0-G2	108	11961	B1-U0-G2	115	11961	B1-U0-G2	115
A06	122	T2M	18441	B3-U0-G3	151	19496	B3-U0-G3	160	19496	B3-U0-G3	160
		T3M	18294	B3-U0-G3	150	19341	B3-U0-G3	158	19341	B3-U0-G3	158
		T4M	18540	B3-U0-G3	152	19601	B3-U0-G3	160	19601	B3-U0-G3	160
		T5M	19110	B4-U0-G2	156	20203	B4-U0-G2	165	20203	B4-U0-G2	165
		AFR	19100	B3-U0-G3	156	20193	B3-U0-G3	165	20193	B3-U0-G3	165
		T4W	17652	B3-U0-G3	144	18662	B3-U0-G3	153	18662	B3-U0-G3	153
		T5N	18975	B4-U0-G2	155	20061	B4-U0-G2	164	20061	B4-U0-G2	164
		T5W	18270	B5-U0-G3	150	19315	B5-U0-G3	158	19315	B5-U0-G3	158
		LCL	10033	B2-U0-G2	82	10607	B2-U0-G2	87	10607	B2-U0-G2	87
		LCR	10033	B2-U0-G2	82	10607	B2-U0-G2	87	10607	B2-U0-G2	87
		BLC	12858	B1-U0-G2	105	13594	B1-U0-G2	111	13594	B1-U0-G2	111
A07	136	T2M	16776	B3-U0-G3	123	20034	B3-U0-G3	147	21181	B3-U0-G3	156
		T3M	16642	B3-U0-G3	122	19874	B3-U0-G3	146	21012	B3-U0-G3	154
		T4M	16866	B2-U0-G3	124	20142	B3-U0-G3	148	21294	B3-U0-G3	156
		T5M	17384	B4-U0-G2	128	20761	B4-U0-G2	152	21949	B4-U0-G2	161
		AFR	17375	B3-U0-G3	128	20750	B3-U0-G3	152	21938	B3-U0-G3	161
		T4W	16058	B3-U0-G3	118	19178	B3-U0-G3	141	20275	B3-U0-G3	149
		T5N	17262	B4-U0-G2	127	20615	B4-U0-G2	151	21794	B4-U0-G2	160
		T5W	16620	B4-U0-G3	122	19848	B5-U0-G3	146	20984	B5-U0-G3	154
		LCL	9127	B1-U0-G2	67	10900	B2-U0-G2	80	11524	B2-U0-G2	85
		LCR	9127	B1-U0-G2	67	10900	B2-U0-G2	80	11524	B2-U0-G2	85
		BLC	11697	B1-U0-G2	86	13969	B1-U0-G2	103	14768	B1-U0-G2	108



OPF-S OptiForm small

Site & area luminaire

OPF-S Precision Plus Optic Lumen values

Performance Package	System Watts	Distribution Type	70 CRI			70 CRI			70 CRI		
			3000K			4000K			5000K		
			Lumen Output	BUG Rating	Efficacy (LPW)	Lumen Output	BUG Rating	Efficacy (LPW)	Lumen Output	BUG Rating	Efficacy (LPW)
P01	15	T2M	2691	B1-U0-G1	182	2845	B1-U0-G1	192	2845	B1-U0-G1	192
		T3M	2718	B1-U0-G1	184	2874	B1-U0-G1	194	2874	B1-U0-G1	194
		T4M	2665	B1-U0-G1	180	2817	B1-U0-G1	190	2817	B1-U0-G1	190
		T5M	2610	B2-U0-G1	176	2759	B2-U0-G1	186	2759	B2-U0-G1	186
P02	23	T2M	4022	B1-U0-G1	178	4252	B1-U0-G1	189	4252	B1-U0-G1	189
		T3M	4062	B1-U0-G1	180	4295	B1-U0-G1	191	4295	B1-U0-G1	191
		T4M	3983	B1-U0-G1	177	4211	B1-U0-G1	187	4211	B1-U0-G1	187
		T5M	3900	B2-U0-G1	173	4124	B2-U0-G1	183	4124	B2-U0-G1	183
P03	38	T2M	6465	B2-U0-G2	169	6835	B2-U0-G2	179	6835	B2-U0-G2	179
		T3M	6530	B2-U0-G2	171	6904	B2-U0-G2	181	6904	B2-U0-G2	181
		T4M	6402	B1-U0-G2	168	6768	B1-U0-G2	177	6768	B1-U0-G2	177
		T5M	6269	B3-U0-G2	164	6629	B3-U0-G2	174	6629	B3-U0-G2	174
P04	53	T2M	8759	B2-U0-G2	165	9261	B2-U0-G2	174	9261	B2-U0-G2	174
		T3M	8848	B2-U0-G2	166	9355	B2-U0-G2	176	9355	B2-U0-G2	176
		T4M	8674	B2-U0-G2	163	9171	B2-U0-G2	172	9171	B2-U0-G2	172
		T5M	8495	B3-U0-G2	160	8982	B3-U0-G2	169	8982	B3-U0-G2	169
P05	66	T2M	11253	B2-U0-G2	172	11898	B2-U0-G2	182	11898	B2-U0-G2	182
		T3M	11366	B3-U0-G3	173	12018	B3-U0-G3	183	12018	B3-U0-G3	183
		T4M	11143	B2-U0-G3	170	11782	B2-U0-G3	180	11782	B2-U0-G3	180
		T5M	10913	B3-U0-G2	167	11539	B3-U0-G2	176	11539	B3-U0-G2	176
P06	76	T2M	13987	B3-U0-G3	183	14788	B3-U0-G3	194	14788	B3-U0-G3	194
		T3M	14128	B3-U0-G3	185	14937	B3-U0-G3	196	14937	B3-U0-G3	196
		T4M	13850	B2-U0-G3	182	14644	B2-U0-G3	192	14644	B2-U0-G3	192
		T5M	13564	B4-U0-G3	178	14342	B4-U0-G3	188	14342	B4-U0-G3	188
P07	94	T2M	15850	B3-U0-G3	168	16758	B3-U0-G3	178	16758	B3-U0-G3	178
		T3M	16010	B3-U0-G3	170	16927	B3-U0-G3	180	16927	B3-U0-G3	180
		T4M	15696	B3-U0-G3	167	16595	B3-U0-G3	176	16595	B3-U0-G3	176
		T5M	15372	B4-U0-G3	163	16253	B4-U0-G3	172	16253	B4-U0-G3	172
P08	113	T2M	19800	B3-U0-G3	176	20934	B3-U0-G3	186	20934	B3-U0-G3	186
		T3M	19999	B3-U0-G3	178	21145	B3-U0-G3	188	21145	B3-U0-G3	188
		T4M	19607	B3-U0-G3	174	20730	B3-U0-G3	184	20730	B3-U0-G3	184
		T5M	19202	B4-U0-G3	171	20302	B4-U0-G3	180	20302	B4-U0-G3	180
P09	133	T2M	21655	B3-U0-G3	163	22896	B3-U0-G3	172	22896	B3-U0-G3	172
		T3M	21874	B3-U0-G3	164	23127	B3-U0-G3	174	23127	B3-U0-G3	174
		T4M	21444	B3-U0-G4	161	22673	B3-U0-G4	171	22673	B3-U0-G4	171
		T5M	21002	B4-U0-G3	158	22205	B4-U0-G3	167	22205	B4-U0-G3	167



OPF-S OptiForm small

Site & area luminaire

LED Wattage and Lumen Values (Emergency Mode)

Ordering Code	CCT	CRI	Avg. System Wattage (W)	Type 2M		Type 3M		Type 4M	
				Lumen Output	BUG Rating	Lumen Output	BUG Rating	Lumen Output	BUG Rating
OPF-S-PXX-740-X-EM	4000	70	6	1000	B0-U0-G0	1014	B0-U0-G1	838	B0-U0-G0
OPF-S-PXX-750-X-EM	5000	70	6	960	B0-U0-G0	973	B0-U0-G1	804	B0-U0-G0
OPF-S-PXX-830-X-EM	3000	80	6	856	B0-U0-G0	868	B0-U0-G1	717	B0-U0-G0
OPF-S-PXX-840-X-EM	4000	80	6	887	B0-U0-G0	899	B0-U0-G1	743	B0-U0-G0

Predicted Lumen Depreciation Data

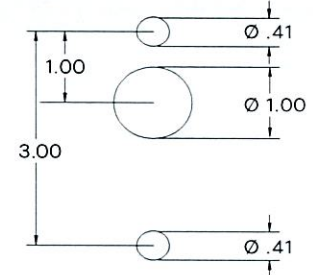
Predicted performance derived from LED manufacturer's data and engineering design estimates, based on IESNA LM-80 methodology. Actual experience may vary due to field application conditions. L70 is the predicted time when LED performance depreciates to 70% of initial lumen output. Calculated per IESNA TM21-11. Published L70 hours limited to 6 times actual LED test hours

Ambient Temp °C	Lumen Package	Calculated L70 Hours	L70 per TM-21	Lumen Maintenance % at 60,000 hrs
25°C	A06-A07	>77,000 hours	>77,000 hours	90%
25°C	All others	>100,000 hours	>100,000 hours	96%

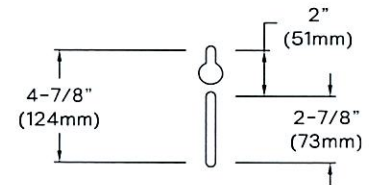
Dimensions

Standard Drill Pattern

Drill Template #5



Standard Arm Mounting Hole Pattern





Job Name: NEWBERRY COUNTY PUBLIC SAFETY COMPLEX
Manufacturer: GARDCO
Model Number: OPF-S-A01-730-T2M-AR1-120-FAWS-TLP-BZ

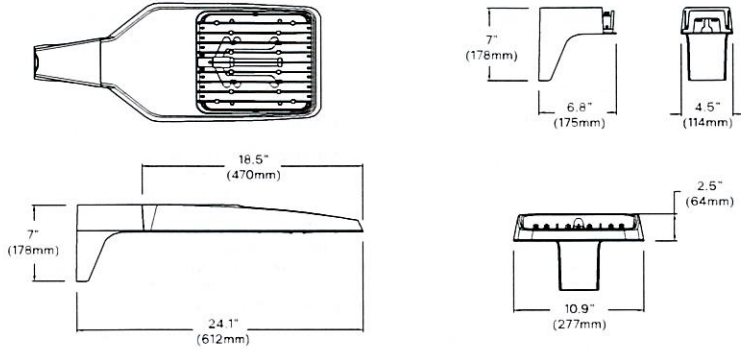
Type:
SA

OPF-S OptiForm small

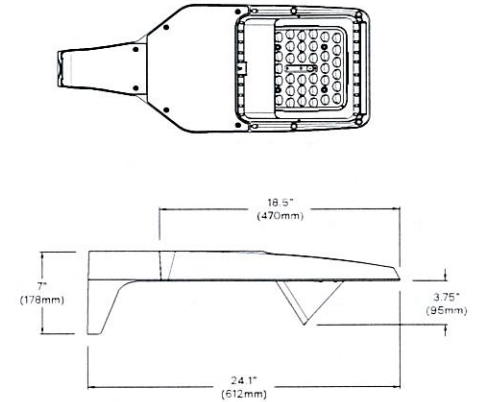
Site & area luminaire

Dimensions

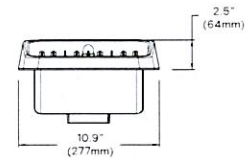
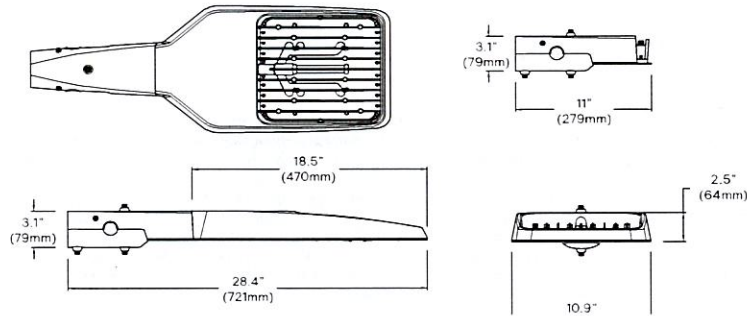
OptiForm Standard Arm
 Weight: 11 lb (5.0 kg)
 EPA: 0.2 ft² (0.018 m²)



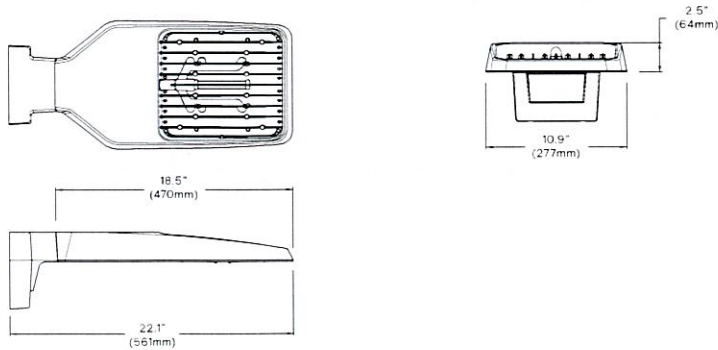
OptiForm External Housing Shield



OptiForm Mast Arm
 Weight: 12.6 lb (5.7 kg)



OptiForm Wall Mount
 Weight: 11.5 lb (5.2 kg)





OPF-S OptiForm small

Site & area luminaire

Specifications

Housing

Housing and door constructed of low copper die cast Aluminum alloy (A360) with detachable arms for quick mounting. Heatsink is integral to the housing providing passive cooling of LEDs to maintain long LED life. Luminaire housing rated to IP65. LED Modules rated IP66 tested in accordance to Section 9 of IEC 60598-1. OptiForm carries and impact rating of IK08.

Vibration resistance

OptiForm is tested and rated to standards set forth in ANSI C136.31-2018 Level 2 for Bridge and Overpass applications.

Light engine

Light engine comprises of a module of 40-LED aluminum metal clad board fully sealed with optics: Medium = 2 Modules with 80 LEDs, Large = 4 modules with 160 LEDs. Module is RoHS compliant. Color temperature as per ANSI/NEMA bin 2700 Kelvin nominal (2725 ±145K), 3000 Kelvin nominal (3045K +/- 175K) or 4000 Kelvin nominal (3985K +/- 275K), CRI 70 Min. 75 Typical. Other CCT/CRI also available, consult factory. LED light engine is rated IP66 in accordance to Section 9 of IEC 60598-1.

Energy saving benefits

System efficacy up to 182 lms/W with significant energy savings over Pulse Start Metal Halide luminaires. Optional control options provide added energy savings during unoccupied periods.

Optical systems

Site and Area optical distributions include Types 2 Medium, 3 Medium, 4 Medium, 4 Wide, 5 Narrow, 5 Medium, 5 Wide, and Auto Front Row. LEED Corner Left, LEED Corner Right, and Backlight Control distributions also available to provide excellent cutoff to meet the most stringent requirements at property lines. Optional internal shields mount to LED optics and are available with Type 2M, 3M, and 4M distributions. Types 2M and 3M can be rotated at 90° or 270° when specified, and are factory set only. Site and Area optics shall be performance tested per LM-79 and TM-15 (IESNA) certifying their photometric performance. Luminaire designed with 0% uplight (U0 per IESNA TM-15).

Precision Plus optical distributions include Types 2, 3, 4 and 5 and are designed to illuminate pedestrian scale applications by providing lower glare, while still achieving desired distribution, optimized spacing, and excellent uniformity. Optics are made of optical grade polymer refractor lenses and shall be performance tested per LM-63, LM-79 and TM-15 (IESNA) certifying their photometric performance. Luminaire designed with 0% uplight (U0 per IESNA TM-15).

Mounting

Standard luminaire arm mounts to square poles with knock-out on the arm to allow for mounting to 4" O.D. round poles. Standard arm casting can accommodate existing bolt spacing from 2" to 4-7/8". It is recommended to use the bolster plate kit OPF RMB when it's not a new installation or if the mounting holes are larger than 0.41" (10mm).

OptiForm features a Mast Arm for Mounting to 2-3/8x4" tenon as well as wall mount casting for exterior building mount applications.

Control options

Dimming Leads Externally Accessible (DLEA): Access to 0-10V dimming leads supplied through back of luminaire (for secondary dimming controls by others). Cannot be used with other control options.

Sensor Ready Zhaga Socket Connector (SRDR): Product is D4i Certified and equipped with Sensor Ready drivers connected to 4-pin Zhaga Book 18 compliant receptacle designed for sensor and other control system applications. Receptacle is rated IP66 assembly in a compact design that provides a sealed electrical interface and rated UV resistance, mounted on underside of the luminaire, protective dust cap included. When a controller not provided by Signify is used with Sensor Ready Zhaga socket connector, the controller must be certified to work with the Xitanium SR LED drivers as part of the SR certified program. SRDR can be used with NEMA 7-pin twist lock receptacle, which is mounted on top of the luminaire.

Automatic Profile Dimming (CS/CM/CE/CA): Standard dimming profiles provide flexibility towards energy savings goals while optimizing light levels during specific dark hours. Dimming profiles include two dimming settings including dim to 30% or 50% of the total lumen output. After 5 minutes with no motion, it will return to the automatic dimming profile schedule. Automatic dimming profile scheduled with the following settings:

- **CS50/CS30:** Security for 7 hours night duration (Ex., 11 PM - 6 AM)
- **CM50/CM30:** Median for 8 hours night duration (Ex., 10 PM - 6 AM)

All above profiles are calculated from mid point of the night. Dimming is set for 6 hours after the mid point and 1 or 2 hours before depending of the duration of dimming. Cannot be used with other dimming control options

Field Adjustable Wattage Selector (FAWS): Luminaire equipped with the ability to manually adjust the wattage in the field to reduce total luminaire lumen output and light levels. Comes pre-set to the highest position lumen output selected. Use chart below to estimate reduction in lumen output desired. Cannot be used with other control options or motion response.

FAWS Position	Percent of Typical Lumen Output	FAWS Position	Percent of Typical Lumen Output
1	25%	6	80%
2	50%	7	85%
3	55%	8	90%
4	65%	9	95%
5	75%	10	100%

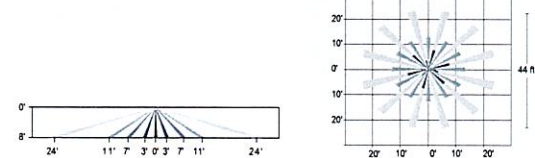
Note: Typical value accuracy +/- 5%

Motion response options

Bi-Level Infrared Motion Response (BL50): Motion Response module is mounted integral to luminaire factory pre-programmed to 50% dimming when not ordered with other control options. BL-IMRI is set/operates in the following fashion: The motion sensor is set to a constant 50%. When motion is detected by the PIR sensor, the luminaire returns to full power/light output. Dimming on low is factory set to 50% with 5 minutes default in "full power" prior to dimming back to low. When no motion is detected for 5 minutes, the motion response system reduces the wattage by 50%, to 50% of the normal constant wattage reducing the light level. Other dimming settings can be provided if different dimming levels are required (contact Technical Support for details).

Infrared Motion Response Lenses (L2): Infrared Motion Response Integral module is available with two different sensor lens types to accommodate various mounting heights and occupancy detection ranges. Lens #2 is designed for mounting heights 8' to 15'. Lens #3 is designed for higher mounting heights up to 20' with a 40' diameter coverage area. See charts for approximate detection patterns:

Luminaire with #2 lens





OPF-S OptiForm small

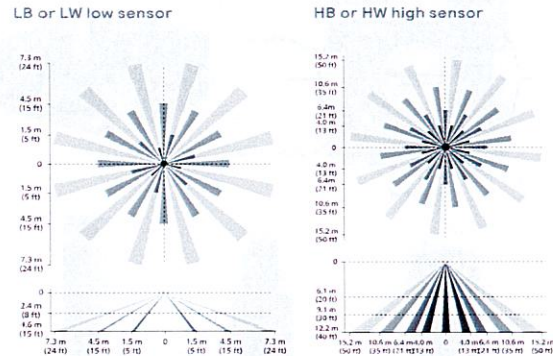
Site & area luminaire

Specifications (cont'd)

Outdoor Interact (WIAP): Connected sensor with integral occupancy and daylight sensing, supports wireless mesh connectivity. Sensor works in the standalone mode when configured without a gateway. When used with a gateway you are able to access additional functionalities such as energy monitoring, scheduling and BMS integration. Interact offers an App, a portal and a broad portfolio of Interact-ready Indoor and Outdoor luminaires, lamps and retrofit kits all working on the same system. The App provides flexibility to choose between a standalone or gateway mode. Setup with the gateway requires wired internet access to the gateway. WIAP includes SR driver and SR receptacle. Daylight harvesting supported through dimming - activated via the Interact App. Sensors IP66 rated.

For more information on Interact Pro visit:

www.interact-lighting.com/interactproscalablesystem



Note: The beam patterns shown are intended solely as a general guide and are not to scale. Sensing capabilities and coverage area depend on many factors including the size, speed and direction of travel of persons and vehicles; sensor mounting height; environmental and site conditions; etc.

Electrical

Twist-Lock Receptacle (TR5/TR7): Twist Lock Receptacle with 5 pins enabling dimming or with 7 pins with additional functionality (by others) can be used with a twistlock photoelectric cell or a shorting cap. Dimming Receptacle Type B (5-pin) and Type D-24 (7-pin) in accordance to ANSI C136.41. Can be used with third-party control system. Receptacle located on top of luminaire housing.

When specifying receptacle with twistlock photoelectric cell, voltage must be specified. When ordering 7-pin Twist-lock receptacle (TR7), all 7 pins are wired to respective pins with the Sensor Ready (SR) driver, and photocell or shorting cap is not included. When ordering a twist-lock receptacle with a photocell (TLP), the receptacle used is a 7-pin receptacle, with pins 6 and 7 connected to SR DALI driver. 0-10V dimming leads (pins 4 and 5) are connected if not ordered with any other dimming option.

Driver: Driver efficiency (>90% standard). 120-480V available (restrictions apply). Open/short circuit protection. All drivers are 0-10V dimming to 10% power standard, except when using Sensor Ready (SR) drivers, which uses DALI protocol (options CS50/CM50/CS30/CM30, SRDR, and TR7). Drivers are RoHS and FCC Title 47 CFR Part 15 compliant.

Button Photocontrol (PCB): Button style design for internal luminaires mounting applications. The photocontrol is constructed of a high impact UV stabilized polycarbonate housing. Rated voltage of 120V or 208-277V with a load rating of 1000 VA. The photocell will turn on with 1-4Fc of ambient light.

Surge protection (SP1/SP2): Surge protection device tested in accordance with ANSI/IEEE C62.45 per ANSI/IEEE C62.41.2 Scenario I Category C High Exposure 10kV/10kA waveforms for Line-Ground, Line-Neutral and Neutral-Ground, and in accordance with DOE MSSLC Model Specification for LED Roadway Luminaires Appendix D Electrical Immunity High test level 10kV/10kA. 20kV / 10kA surge protection device that provides extra protection beyond the SP1 10kV/10kA level.

Listings

UL/cUL wet location listed to the UL 1598 standard, suitable for use in ambient temperatures from -40° to 40°C (-40° to 104°F). All Optiform configurations are qualified under Design Lights Consortium Premium classification. Consult DLC Qualified Products list to confirm your specific luminaire selection is approved. CCTs 3000K and warmer are Dark Sky Approved.

Finish

Each standard color luminaire receives a fade and abrasion resistant, electrostatically applied, thermally cured, triglycidal isocyanurate (TGIC) textured polyester powdercoat finish. Standard colors include bronze (BZ), black (BK), white (WH), dark gray (DGY), and medium gray (MGY). Consult Factory for specs on optional, custom colors, and marine grade paint.

Service Tag

Each individual luminaire is uniquely identifiable, thanks to the Service tag application. With a simple scan of a QR code, placed on the inside of the mast door, you gain instant access to the luminaire configuration, making installation and maintenance operations faster and easier, no matter what stage of the luminaire's lifetime. Just download the APP and register your product right away. For more details visit: signify.com

Warranty

OptiForm luminaires feature a 5-year limited warranty. See signify.com/warranties for complete details and exclusions.

© 2025 Signify Holding. All rights reserved. The information provided herein is subject to change, without notice. Signify does not give any representation or warranty as to the accuracy or completeness of the information included herein and shall not be liable for any action in reliance thereon. The information presented in this document is not intended as any commercial offer and does not form part of any quotation or contract, unless otherwise agreed by Signify.

OPF-S-OptiForm-Small-en 04/25 page 9 of 9



Signify North America Corp.
400 Crossing Blvd, Suite 600
Bridgewater, NJ 08807
Telephone: 800-555-0050

Signify Canada Ltd.
281 Hillmount Road,
Markham, ON, Canada L6C 2S3
Telephone: 800-668-9008

All trademarks are owned by Signify Holding or their respective owners.

www.gardcolighting.com



Job Name : NEWBERRY COUNTY PUBLIC SAFETY COMPLEX
 Manufacturer : WISCONSIN LIGHTING LAB, INC (WILL)
 Model Number : NP-RSAA-20-4040-D-AB-SB-DB-D1

Type :
SA-POL
E



Aluminum

Round Straight Anchor Base

NAFCO® ROUND STRAIGHT ALUMINUM LIGHT POLES (ANCHOR BASE)



Catalog # _____

Project _____

Comments _____

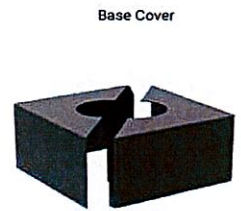
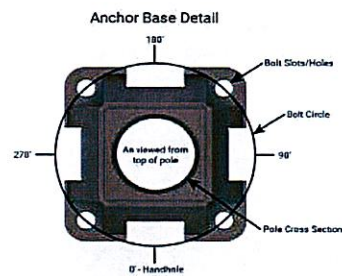
Proudly engineered and manufactured in the American Midwest – our NAFCO® family of professional-grade light pole and fixture products combines 50+ years of manufacturing expertise and top-notch Midwestern workmanship. Like all WILL products, NAFCO® products come supported by our unmatched design, engineering, and project support capabilities

Highlights

- Single source manufacturing to ensure poles, bases, arms, and fixtures fit together and ship complete
- Designed, engineered, and manufactured in Wisconsin, USA
- Performance coatings and custom color matching of RAL codes and architectural colors
- Custom products, configurations, options, and accessories available
- Meets Buy American and BABAA standards

Light Poles

- Pole shaft is extruded from seamless 6063-T6 aluminum and anchor base is cast from 356 alloy aluminum
- Completed pole/base assembly is heat treated to T6 temper after welding and machining operations (for anchor base poles 16' and above)
- 2" x 4" oval hand hole with grounding provision, cover, and hardware are provided
- Supplied with an aluminum two-piece base cover
- Anchor bolts conform to ASTM F1554 Grade 55 and are provided with two hex nuts and two flat washers; bolts have an "L" bend on one end and are galvanized a minimum of 12" on the threaded end
- All structural fasteners are galvanized high strength carbon steel; non-structural fasteners are galvanized or zinc-plated carbon steel or stainless steel
- Architectural grade painted or anodized finish and custom color matching of RAL codes and architectural colors
- See loading tables below for design criteria and EPA loading
- Local specifying engineer recommended for product selection and local compliance; connect with WILL support for guidance



Top Cap



Tenon Top



Vibration Dampener



Handhole Cover



Festoon



NPT Pipe Coupling

Specifications subject to change without notice.
 Rev: v08132025
 Page: 1 of 6

308 N. Broeke St. | Fond du Lac, WI 54935
 quotes@willbrands.com | www.willbrands.com
 ©2025





Job Name : NEWBERRY COUNTY PUBLIC SAFETY COMPLEX
 Manufacturer : WISCONSIN LIGHTING LAB, INC (WILL)
 Model Number : NP-RSAA-20-4040-D-AB-SB-DB-D1

Type :
SA-POL
E



Aluminum

Round Straight Anchor Base

Designation & Dimensional Information

Base Model	Pole Dimensions				Anchor Base & Bolts					
	Nominal Mounting Height (ft)	Top OD (in)	Base OD (in)	Wall Thick (in)	Structural Weight (lb)	Bolt Circle Diameter On Center (in)	Bolt Square On Center (in)	Square (in) x Thickness (in)	Dia x Length x Hook (in)	Projection (in)
NP-RSAA-08-4040-C	8	4	4	0.125	36	9.25	6.54	8.625 x 0.75	0.63 x 16.00 x 2.00	2.75
NP-RSAA-10-4040-C	10	4	4	0.125	39	9.25	6.54	8.625 x 0.75	0.63 x 16.00 x 2.00	2.75
NP-RSAA-10-4040-D	10	4	4	0.188	52	9.25	6.54	8.625 x 0.75	0.75 x 17.00 x 3.00	2.75
NP-RSAA-10-5050-D	10	5	5	0.188	55	8.375 - 10.375	5.92 - 7.34	10.25 x 0.88	0.75 x 17.00 x 3.00	3.50
NP-RSAA-12-4040-C	12	4	4	0.125	43	9.25	6.54	8.625 x 0.75	0.63 x 16.00 x 2.00	2.75
NP-RSAA-12-4040-D	12	4	4	0.188	56	9.25	6.54	8.625 x 0.75	0.75 x 17.00 x 3.00	2.75
NP-RSAA-12-5050-D	12	5	5	0.188	62	8.375 - 10.375	5.92 - 7.34	10.25 x 0.88	0.75 x 17.00 x 3.00	3.50
NP-RSAA-14-4040-C	14	4	4	0.125	47	9.25	6.54	8.625 x 0.75	0.63 x 16.00 x 2.00	2.75
NP-RSAA-14-4040-D	14	4	4	0.188	60	9.25	6.54	8.625 x 0.75	0.75 x 17.00 x 3.00	2.75
NP-RSAA-14-5050-D	14	5	5	0.188	69	8.375 - 10.375	5.92 - 7.34	10.25 x 0.88	0.75 x 17.00 x 3.00	3.50
NP-RSAA-15-4040-C	15	4	4	0.125	49	9.25	6.54	8.625 x 0.75	0.63 x 16.00 x 2.00	2.75
NP-RSAA-15-4040-D	15	4	4	0.188	63	9.25	6.54	8.625 x 0.75	0.75 x 17.00 x 3.00	2.75
NP-RSAA-15-5050-D	15	5	5	0.188	72	8.375 - 10.375	5.92 - 7.34	10.25 x 0.88	0.75 x 17.00 x 3.00	3.50
NP-RSAA-16-4040-C	16	4	4	0.125	50	9.25	6.54	8.625 x 0.75	0.63 x 16.00 x 2.00	2.75
NP-RSAA-16-4040-D	16	4	4	0.188	65	9.25	6.54	8.625 x 0.75	0.75 x 17.00 x 3.00	2.75
NP-RSAA-16-5050-D	16	5	5	0.188	75	8.375 - 10.375	5.92 - 7.34	10.25 x 0.88	0.75 x 17.00 x 3.00	3.50
NP-RSAA-18-4040-D	18	4	4	0.188	71	9.25	6.54	8.625 x 0.75	0.75 x 17.00 x 3.00	2.75
NP-RSAA-18-4040-E	18	4	4	0.250	87	9.25	6.54	8.625 x 0.75	0.75 x 17.00 x 3.00	2.75
NP-RSAA-18-5050-D	18	5	5	0.188	82	8.375 - 10.375	5.92 - 7.34	10.25 x 0.88	0.75 x 17.00 x 3.00	3.50
NP-RSAA-18-5050-E	18	5	5	0.250	101	8.375 - 10.375	5.92 - 7.34	10.25 x 0.88	0.75 x 17.00 x 3.00	3.50
NP-RSAA-20-4040-D	20	4	4	0.188	76	9.25	6.54	8.625 x 0.75	0.75 x 17.00 x 3.00	2.75
NP-RSAA-20-4040-E	20	4	4	0.250	94	9.25	6.54	8.625 x 0.75	0.75 x 17.00 x 3.00	2.75
NP-RSAA-20-5050-D	20	5	5	0.188	89	8.375 - 10.375	5.92 - 7.34	10.25 x 0.88	0.75 x 17.00 x 3.00	3.50
NP-RSAA-20-5050-E	20	5	5	0.250	111	8.375 - 10.375	5.92 - 7.34	10.25 x 0.88	0.75 x 17.00 x 3.00	3.50
NP-RSAA-20-6060-D	20	6	6	0.188	104	9.625 - 11.375	6.80 - 8.04	11 x 1	1.00 x 36.00 x 4.00	3.50
NP-RSAA-20-6060-E	20	6	6	0.250	131	9.625 - 11.375	6.80 - 8.04	11 x 1	1.00 x 36.00 x 4.00	3.50
NP-RSAA-22-5050-D	22	5	5	0.188	96	8.375 - 10.375	5.92 - 7.34	10.25 x 0.88	0.75 x 17.00 x 3.00	3.50
NP-RSAA-22-5050-E	22	5	5	0.250	120	8.375 - 10.375	5.92 - 7.34	10.25 x 0.88	0.75 x 17.00 x 3.00	3.50
NP-RSAA-22-6060-D	22	6	6	0.188	112	9.625 - 11.375	6.80 - 8.04	11 x 1	1.00 x 36.00 x 4.00	3.50
NP-RSAA-22-6060-E	22	6	6	0.250	142	9.625 - 11.375	6.80 - 8.04	11 x 1	1.00 x 36.00 x 4.00	3.50
NP-RSAA-24-5050-D+	24	5	5	0.188	103	8.375 - 10.375	5.92 - 7.34	10.25 x 0.88	0.75 x 17.00 x 3.00	3.50
NP-RSAA-24-5050-E+	24	5	5	0.250	129	8.375 - 10.375	5.92 - 7.34	10.25 x 0.88	0.75 x 17.00 x 3.00	3.50
NP-RSAA-24-6060-D	24	6	6	0.188	124	9.625 - 11.375	6.80 - 8.04	11 x 1	1.00 x 36.00 x 4.00	3.50
NP-RSAA-24-6060-E	24	6	6	0.250	158	9.625 - 11.375	6.80 - 8.04	11 x 1	1.00 x 36.00 x 4.00	3.50
NP-RSAA-25-5050-D+	25	5	5	0.188	106	8.375 - 10.375	5.92 - 7.34	10.25 x 0.88	0.75 x 17.00 x 3.00	3.50
NP-RSAA-25-5050-E+	25	5	5	0.250	133	8.375 - 10.375	5.92 - 7.34	10.25 x 0.88	0.75 x 17.00 x 3.00	3.50
NP-RSAA-25-6060-D	25	6	6	0.188	124	9.625 - 11.375	6.80 - 8.04	11 x 1	1.00 x 36.00 x 4.00	3.50
NP-RSAA-25-6060-E	25	6	6	0.250	163	9.625 - 11.375	6.80 - 8.04	11 x 1	1.00 x 36.00 x 4.00	3.50
NP-RSAA-28-6060-D+	28	6	6	0.188	137	9.625 - 11.375	6.80 - 8.04	11 x 1	1.00 x 36.00 x 4.00	3.50
NP-RSAA-28-6060-E+	28	6	6	0.250	174	9.625 - 11.375	6.80 - 8.04	11 x 1	1.00 x 36.00 x 4.00	3.50
NP-RSAA-30-6060-D+	30	6	6	0.188	143	9.625 - 11.375	6.80 - 8.04	11 x 1	1.00 x 36.00 x 4.00	3.50
NP-RSAA-30-6060-E+	30	6	6	0.250	182	9.625 - 11.375	6.80 - 8.04	11 x 1	1.00 x 36.00 x 4.00	3.50

1 The total combined Effective Projected Area (EPA) and weight of all fixtures, brackets, and other attachments mounting to a light pole cannot exceed the EPA and weight rating for a specified pole.
 2 Custom products, configurations, options, and accessories available.
 3 Satisfactory performance of light poles is dependent upon the structure being properly attached to a supporting foundation of adequate design.
 ** indicates a vibration dampener is standard.



Job Name : NEWBERRY COUNTY PUBLIC SAFETY COMPLEX
 Manufacturer : WISCONSIN LIGHTING LAB, INC (WILL)
 Model Number : NP-RSAA-20-4040-D-AB-SB-DB-D1

Type :
SA-POL
E



Aluminum

Round Straight Anchor Base

EPA Loading Guide (AASHTO 2020 Design Criteria)

Base Model	80mph w/ 1.3 Gust		90mph w/ 1.3 Gust		100mph w/ 1.3 Gust		110mph w/ 1.3 Gust		120mph w/ 1.3 Gust	
	Max EPA (sq ft)	Max Weight (lb)	Max EPA (sq ft)	Max Weight (lb)	Max EPA (sq ft)	Max Weight (lb)	Max EPA (sq ft)	Max Weight (lb)	Max EPA (sq ft)	Max Weight (lb)
NP-RSAA-08-4040-C	10.8	100	8.3	100	6.5	100	6.0	100	4.9	100
NP-RSAA-10-4040-C	8.4	100	6.4	100	4.9	100	4.5	100	3.5	100
NP-RSAA-10-4040-D	12.9	100	9.9	100	7.7	100	7.1	100	5.7	100
NP-RSAA-10-5050-D	21.4	125	16.5	125	13.0	125	12.0	125	9.8	125
NP-RSAA-12-4040-C	6.7	100	4.9	100	3.6	100	3.2	100	2.4	100
NP-RSAA-12-4040-D	10.4	100	7.9	100	6.0	100	5.5	100	4.3	100
NP-RSAA-12-5050-D	17.6	125	13.5	125	10.5	125	9.6	125	7.7	125
NP-RSAA-14-4040-C	5.2	100	3.6	100	2.5	100	2.2	100	1.5	100
NP-RSAA-14-4040-D	8.5	100	6.2	100	4.6	100	4.2	100	3.2	100
NP-RSAA-14-5050-D	14.6	125	11.0	125	8.4	125	7.6	125	6.0	125
NP-RSAA-15-4040-C	4.4	100	3.0	100	2.0	100	1.7	100	1.1	100
NP-RSAA-15-4040-D	7.5	100	5.5	100	4.0	100	3.6	100	2.6	100
NP-RSAA-15-5050-D	13.2	125	9.8	125	7.4	125	6.7	125	5.2	125
NP-RSAA-16-4040-C	3.8	100	2.5	100	1.5	100	1.3	100	0.7	100
NP-RSAA-16-4040-D	6.7	100	4.8	100	3.4	100	3.0	100	2.1	100
NP-RSAA-16-5050-D	11.8	125	8.7	125	6.5	125	5.8	125	4.4	100
NP-RSAA-18-4040-D	5.2	100	3.5	100	2.3	100	1.9	100	1.2	100
NP-RSAA-18-4040-E	7.4	100	5.3	100	3.7	100	3.3	100	2.3	100
NP-RSAA-18-5050-D	9.5	125	6.8	125	4.8	125	4.3	125	3.0	125
NP-RSAA-18-5050-E	13.5	125	9.8	125	7.3	125	6.6	125	5.0	125
NP-RSAA-20-4040-D	3.8	100	2.4	100	1.3	100	1.0	100	0.3	100
NP-RSAA-20-4040-E	5.9	100	4.0	100	2.6	100	2.2	100	1.3	100
NP-RSAA-20-5050-D	7.6	125	5.2	125	3.4	125	3.0	125	1.8	125
NP-RSAA-20-5050-E	11.0	125	7.9	125	5.6	125	5.0	125	3.6	125
NP-RSAA-20-6060-D	12.8	150	9.3	150	6.7	150	5.9	150	4.3	150
NP-RSAA-20-6060-E	18.2	150	13.4	150	10.0	150	9.0	150	6.9	150
NP-RSAA-22-5050-D	5.9	125	3.8	125	2.2	125	1.8	125	0.8	125
NP-RSAA-22-5050-E	9	125	6.2	125	4.2	125	3.6	125	2.3	125
NP-RSAA-22-6060-D	10.7	150	7.4	150	5.1	150	4.4	150	2.9	150
NP-RSAA-22-6060-E	15.3	150	11.1	150	8.1	150	7.2	150	5.3	150
NP-RSAA-24-5050-D+	4.4	125	2.5	125	1.1	125	0.7	125	N/A	N/A
NP-RSAA-24-5050-E+	7.2	125	4.7	125	2.9	125	2.3	125	1.2	125
NP-RSAA-24-6060-D	8.6	150	5.7	150	3.6	150	3	150	1.6	150
NP-RSAA-24-6060-E	12.9	150	9.1	150	6.3	150	5.5	150	3.8	150
NP-RSAA-25-5050-D+	3.7	125	1.9	125	0.5	125	0.2	125	N/A	N/A
NP-RSAA-25-5050-E+	6.4	125	4	125	2.3	125	1.8	125	0.7	125
NP-RSAA-25-6060-D	7.7	150	4.9	150	2.9	150	2.3	150	1.1	150
NP-RSAA-25-6060-E	11.6	150	8.1	150	5.5	150	4.7	150	3.1	150
NP-RSAA-28-6060-D+	5.2	150	2.8	150	1	150	0.6	150	N/A	N/A
NP-RSAA-28-6060-E+	8.8	150	5.6	150	3.3	150	2.7	150	1.2	150
NP-RSAA-30-6060-D+	3.8	150	1.5	150	N/A	N/A	N/A	N/A	N/A	N/A
NP-RSAA-30-6060-E+	7	150	4.1	150	2	150	1.4	150	N/A	N/A

- The total combined Effective Projected Area (EPA) and weight of all fixtures, brackets, and other attachments mounting to a light pole cannot exceed the EPA and weight rating for a specified pole.
- Standard EPA and weight values are based around AASHTO 2020 design criteria (with 3 second gust factor). Specific light pole design standards are available from WILL support. Above data is based around the load centroid being at 2.5' above the pole top and with 2.0' eccentricity. Weight of horizontally eccentric load is capped at 100lb, with all remaining weight mounted 2.5' above top of the pole.
- Custom products, configurations, options, and accessories available.
- Satisfactory performance of light poles is dependent upon the structure being properly attached to a supporting foundation of adequate design.

** indicates a vibration dampener is standard





Job Name : NEWBERRY COUNTY PUBLIC SAFETY COMPLEX
 Manufacturer : WISCONSIN LIGHTING LAB, INC (WILL)
 Model Number : NP-RSAA-20-4040-D-AB-SB-DB-D1

Type :
SA-POL
E



Aluminum

Round Straight Anchor Base

EPA Loading Guide (2020 Florida Building Code)

Base Model	130mph		140mph		150mph		160mph		170mph		180mph	
	Max EPA (sq ft)	Max Weight (lb)	Max EPA (sq ft)	Max Weight (lb)	Max EPA (sq ft)	Max Weight (lb)	Max EPA (sq ft)	Max Weight (lb)	Max EPA (sq ft)	Max Weight (lb)	Max EPA (sq ft)	Max Weight (lb)
NP-RSAA-08-4040-C	6.0	100	5.8	100	5.0	100	4.3	100	3.6	100	3.1	100
NP-RSAA-10-4040-C	4.6	100	4.4	100	3.6	100	3.0	100	2.5	100	2.1	100
NP-RSAA-10-4040-D	9.9	100	9.5	100	8.2	100	7.0	100	6.0	100	5.2	100
NP-RSAA-10-5050-D	10.1	125	9.8	125	8.3	125	7.1	125	6.0	125	5.2	125
NP-RSAA-12-4040-C	3.3	100	3.2	100	2.6	100	2.0	100	1.6	100	1.2	100
NP-RSAA-12-4040-D	4.5	100	4.3	100	3.5	100	2.9	100	2.3	100	1.9	100
NP-RSAA-12-5050-D	8.0	125	7.7	125	6.4	125	5.3	125	4.5	125	3.8	125
NP-RSAA-14-4040-C	2.3	100	2.2	100	1.6	100	1.2	100	0.8	100	0.5	100
NP-RSAA-14-4040-D	4.2	100	4.0	100	3.2	100	2.6	100	2.0	100	1.6	100
NP-RSAA-14-5050-D	7.7	125	7.4	125	6.1	125	5.0	125	4.1	125	3.4	125
NP-RSAA-15-4040-C	1.1	100	1.0	100	0.6	100	0.3	100	N/A	N/A	N/A	N/A
NP-RSAA-15-4040-D	2.7	100	2.6	100	2.0	100	1.4	100	1.0	100	0.6	100
NP-RSAA-15-5050-D	5.4	125	5.1	125	4.1	125	3.2	125	2.5	125	1.9	125
NP-RSAA-16-4040-C	0.8	100	0.7	100	0.3	100	N/A	N/A	N/A	N/A	N/A	N/A
NP-RSAA-16-4040-D	3.0	100	2.9	100	2.2	100	1.6	100	1.1	100	0.7	100
NP-RSAA-16-5050-D	5.9	125	5.7	125	4.5	125	3.6	125	2.8	125	2.2	125
NP-RSAA-18-4040-D	1.3	100	1.2	100	0.6	100	0.2	100	N/A	N/A	N/A	N/A
NP-RSAA-18-4040-E	2.4	100	2.3	100	1.6	100	1.1	100	0.6	100	0.3	100
NP-RSAA-18-5050-D	4.3	125	4.1	125	3.1	125	2.3	125	1.6	125	1.1	125
NP-RSAA-18-5050-E	6.6	125	6.4	125	5.1	125	4.0	125	3.2	125	2.5	125
NP-RSAA-20-4040-D	0.4	100	0.3	100	N/A	N/A	N/A	N/A	N/A	N/A	N/A	N/A
NP-RSAA-20-4040-E	1.5	100	1.3	100	0.7	100	0.3	100	N/A	N/A	N/A	N/A
NP-RSAA-20-5050-D	3.0	125	2.8	125	1.9	125	1.2	125	0.6	125	N/A	N/A
NP-RSAA-20-5050-E	5.0	125	4.8	125	3.7	125	2.7	125	2.0	125	1.3	125
NP-RSAA-20-6060-D	6.0	150	5.7	150	4.4	150	3.4	150	2.5	150	1.7	150
NP-RSAA-20-6060-E	9.0	150	8.8	150	7.1	150	5.7	150	4.5	150	3.6	150
NP-RSAA-22-5050-D	0.9	125	0.7	125	N/A	N/A	N/A	N/A	N/A	N/A	N/A	N/A
NP-RSAA-22-5050-E	2.5	125	2.3	125	1.4	125	0.7	125	N/A	N/A	N/A	N/A
NP-RSAA-22-6060-D	3.1	150	2.9	150	1.9	150	1.1	150	0.4	150	N/A	N/A
NP-RSAA-22-6060-E	5.5	150	5.2	150	3.9	150	2.9	150	2	150	1.2	150
NP-RSAA-24-5050-D+	N/A	N/A	N/A	N/A	N/A	N/A	N/A	N/A	N/A	N/A	N/A	N/A
NP-RSAA-24-5050-E+	1.3	125	1.2	125	0.4	125	N/A	N/A	N/A	N/A	N/A	N/A
NP-RSAA-24-6060-D	1.8	150	1.6	150	0.7	150	N/A	N/A	N/A	N/A	N/A	N/A
NP-RSAA-24-6060-E	4	150	3.8	150	2.6	150	1.6	150	0.8	150	N/A	N/A
NP-RSAA-25-5050-D+	N/A	N/A	N/A	N/A	N/A	N/A	N/A	N/A	N/A	N/A	N/A	N/A
NP-RSAA-25-5050-E+	0.8	125	0.6	125	N/A	N/A	N/A	N/A	N/A	N/A	N/A	N/A
NP-RSAA-25-6060-D	1.2	150	1	150	N/A	N/A	N/A	N/A	N/A	N/A	N/A	N/A
NP-RSAA-25-6060-E	3.3	150	3.1	150	2	150	1	150	0.3	150	N/A	N/A
NP-RSAA-28-6060-D+	N/A	N/A	N/A	N/A	N/A	N/A	N/A	N/A	N/A	N/A	N/A	N/A
NP-RSAA-28-6060-E+	1.4	150	1.2	150	0.2	150	N/A	N/A	N/A	N/A	N/A	N/A
NP-RSAA-30-6060-D+	N/A	N/A	N/A	N/A	N/A	N/A	N/A	N/A	N/A	N/A	N/A	N/A
NP-RSAA-30-6060-E+	0.3	150	N/A	N/A	N/A	N/A	N/A	N/A	N/A	N/A	N/A	N/A

- The total combined EPA and weight of all fixtures, brackets, and other attachments mounting to a light pole cannot exceed the EPA and weight rating for a specified pole.
- Standard EPA and weight values are based around 2020 Fl. Code. Specific light pole design standards are available from WILL support. Above data is based around the load centroid being at 2.5' above the pole top and with 2.0' eccentricity. Weight of horizontally eccentric load is capped at 100lb, with all remaining weight mounted 2.5' above top of the pole.
- Custom products, configurations, options, and accessories available from factory.
- Satisfactory performance of light poles is dependent upon the structure being properly attached to a supporting foundation of adequate design.

*+ indicates a vibration dampener is standard.





Job Name: NEWBERRY COUNTY PUBLIC SAFETY COMPLEX
 Manufacturer: WISCONSIN LIGHTING LAB, INC (WILL)
 Model Number: NP-RSAA-20-4040-D-AB-SB-DB-D1

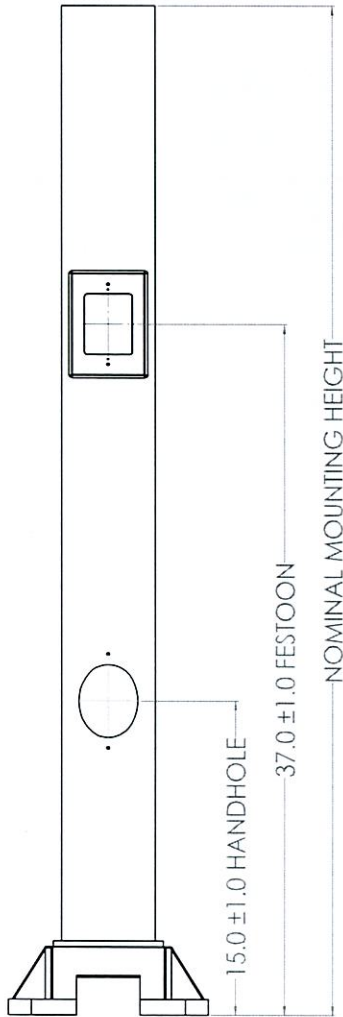
Type:
SA-POL
E



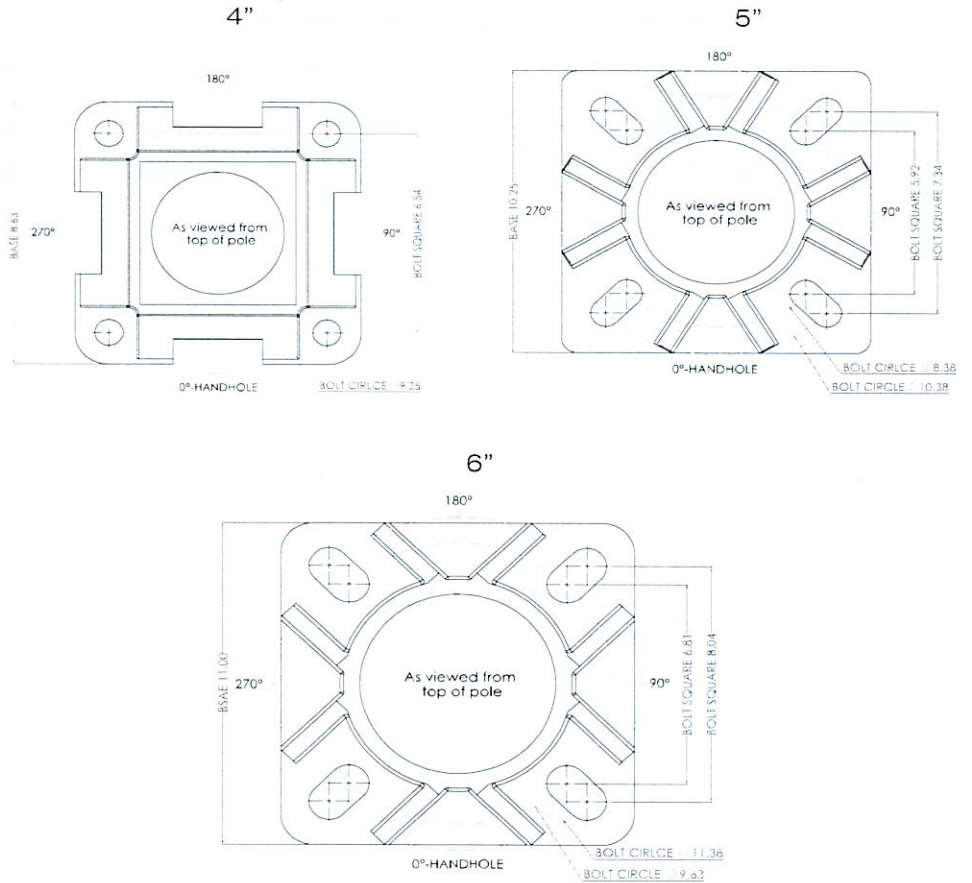
Aluminum

Round Straight Anchor Base

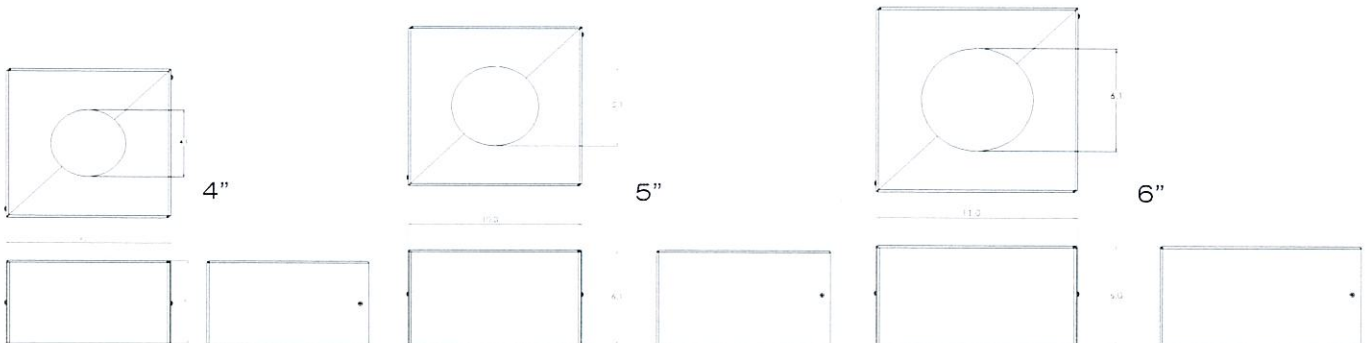
Dimensional Diagrams



ANCHOR BASES



BASE COVERS



Specifications subject to change without notice.
 Rev: V08132025
 Page: 5 of 6

308 N. Brocke St. | Fond du Lac, WI 54935
 quotes@willbrands.com | www.willbrands.com
 ©2025





Job Name : NEWBERRY COUNTY PUBLIC SAFETY COMPLEX
 Manufacturer : WISCONSIN LIGHTING LAB, INC (WILL)
 Model Number : NP-RSAA-20-4040-D-AB-SB-DB-D1

Type :
SA-POL
E



Aluminum

Round Straight Anchor Base

Ordering Information

Ex: NP-RSAA-16-4040-D-AB-SB-FP-BK-D2

Product Family	Design	Nominal Length	Pole Base OD	Pole Top OD	Wall Thickness	Anchor Bolts	Base Type	Finish Type	Finish Color	Fixture Mounting
NP = NAFCO®	RSAA = Round Straight Aluminum Anchor Base Light Pole	08 = 8'	40 = 4"	40 = 4"	C = 0.125"	AB = Includes Anchor Bolts	SB = Standard Base	FP = Finish Painted	BK = Black	PC = Cap Only, No Side Drilling
	C = Custom	10 = 10'	50 = 5"	50 = 5"	D = 0.188"	LAB = Less Anchor Bolts	CB = Custom Base	AN = Anodized	MB = Medium Bronze	PL = Open Top, No Cap
		12 = 12'	60 = 6"	60 = 6"	E = 0.250"	C = Custom		C = Custom	DB = Dark Bronze	PF = Flush Arm Fit
		14 = 14'	C = Custom	C = Custom	C = Custom				WH = White	D1 = Drill Single
		15 = 15'							NA = Nat Alum Silver	D2 = Drill 2@180
		16 = 16'							LG = Light Gray	D3 = Drill 3@120
		18 = 18'							SG = Slate Gray	D4 = Drill 4@90
		20 = 20'							DG = Dark Green	D5 = Drill 2@90
		22 = 22'							DP = Dark Platinum	D6 = Drill 3@90
		24 = 24'							GM = Graphite Metallic	P1 = 4" OD x 5" Long Tenon
		25 = 25'							BA = Bronze Anodized	P2 = 2.38" OD x 4" Long Tenon
		28 = 28'							BKA = Black Anodized	P3 = 3.50" OD x 6" Long Tenon
		30 = 30'							SA = Satin Silver Anodized	P4 = 4" OD x 6" Long Tenon
		C = Custom							RAL = Custom RAL Match	P5 = 2.88" OD x 4" Long Tenon
									C = Custom	P6 = 2.88" OD x 5" Long Tenon
										P7 = 2.38" OD x 5" Long Tenon
										PQ = 2.38" OD x 12" Long Tenon
										PD = 3" OD x 3" Long Tenon
										P9 = Custom Size Tenon

Options & Accessories (Add as Suffix)		
Options	Options	Accessories
SPL = Special Cut Length (Please Specify)	CPL-P-12 = 1/2" NPT Pipe-Thread Female Coupling (Specify Pole Height & Orientation)	STAMP = Engineering Services, Signed & Sealed Calcs
BCSPCL = Special Base Plate & Cover to Match Existing Bolt Circle (May Add to Production Lead Time)	CPL-P-34 = 3/4" NPT Pipe-Thread Female Coupling (Specify Pole Height & Orientation)	STAMP-CA = Engineering Services, CA Signed & Sealed Calcs
VDA = Internal Vibration Dampener, Factory Installed	CPL-P-1 = 1" NPT Pipe-Thread Female Coupling (Specify Pole Height & Orientation)	PRE063 = Pre-Ship Anchor Bolts - 0.625" x 16" x 2"
HHUR-4/5/6 = Additional Unreinforced Hand Hole Opening w/ Cover Assembly (Specify Pole Height & Orientation)	CPL-S-12 = 1/2" NPSM Straight-Thread Female Coupling (Specify Pole Height & Orientation)	PRE075 = Pre-Ship Anchor Bolts - 0.75" x 17" x 3"
HHRR-4/5/6 = Additional Reinforced Hand Hole Opening w/ Cover Assembly (Specify Pole Height & Orientation)	CPL-S-34 = 3/4" NPSM Straight-Thread Female Coupling (Specify Pole Height & Orientation)	PRE100 = Pre-Ship Anchor Bolts - 1.0" x 36" x 4"
FSTR = Festoon Provision, Electrical by Others (Specify Pole Height & Orientation, Minimum 37" Above Base Plate)	CPL = Custom Coupling (Please Specify)	VDF = Internal Vibration Dampener, Field Installable

1. See previous pages for standard light pole model configurations and loading guidelines.
2. Additional hand hole option required for poles with side drilling plus tenon top.
3. Consult WILL support to verify options and accessories will work with your light pole part number.
4. Custom products, configurations, options, and accessories available.



